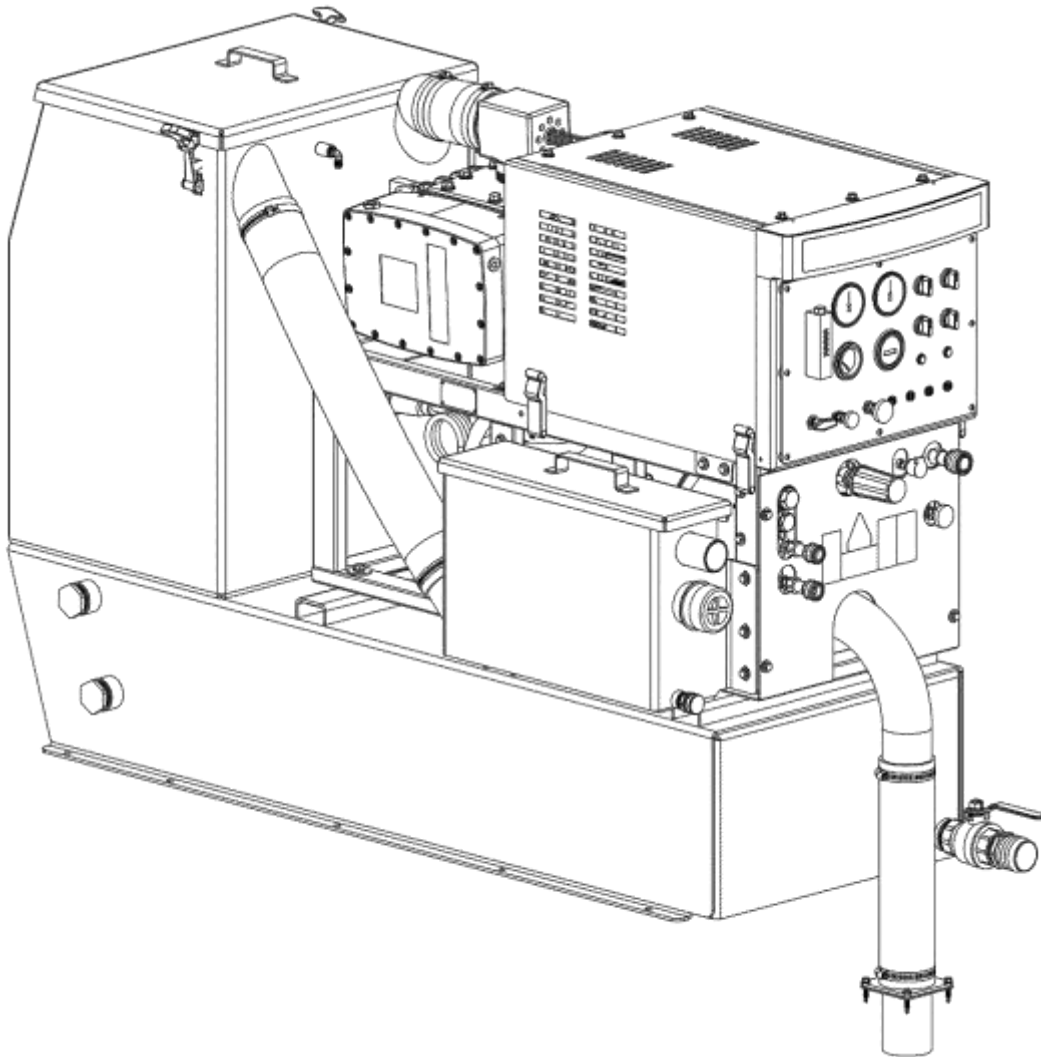


PRO-1200 SE

Operation and Service Manual



Manual P/N 49-139
Revision E, July 2018

UNIT DATA LABEL

Model:	_____
Date of Purchase:	_____
Serial Number:	_____
Dealer:	_____
Address:	_____
Phone Number:	_____
Sales Representative:	_____

Congratulations on the purchase of your Mobile Cleaning Unit. This instruction manual is a guide for operating and servicing your equipment. **Read this manual completely before installing or operating this unit.**

Proper operation and service are necessary to ensure the outstanding performance of this unit. When properly maintained, your truck-mount will have a long and trouble-free life.

The service methods outlined in this manual are detailed in a manner that operation and servicing may be performed properly and safely. Because service levels vary due to the skill of the mechanic, tools and parts availability, ensure that prior to attempting any maintenance or repair, you are familiar with the equipment and have all the proper tools to complete the task. Please call a **Legend Brands** service or customer care representative at 866-445-3030 for help with maintenance, repair, warranty and parts related questions.

THIS UNIT MUST BE INSTALLED BY THE DEALER THAT YOU PURCHASED IT FROM IN ACCORDANCE WITH THE PRESCRIBED INSTALLATION PROCEDURES.

Information in this document is subject to change without notice and does not represent a commitment on the part of Legend Brands.

WARRANTY REGISTRATION

Thank you for purchasing a Legend Brands product. Warranty registration is quick and easy. Your registration will allow us to serve you better over the lifetime of the product.

To register your product go to:

<https://www.legendbrandscleaning.com/Warranty>

For customer assistance:

866-445-3030

SAPPHIRE SCIENTIFIC LIMITED WARRANTY

Sapphire Scientific Pro-1200 SE

What Does This Warranty Cover?

This warranty covers the Sapphire Scientific Model Pro-1200 SE and is provided to the original purchaser only.

How Long Does This Warranty Last?

This warranty runs for:

Three (3) years from the date of installation on parts and labor (Excluding normal maintenance items.) Factory installed original belts are covered for 500 hours. Water box, recovery tank and frame are covered for five years. All other components including seals, o-rings and electrical components are covered for the entire three year warranty period.

What Sapphire Scientific Will Do:

If a defect in materials or workmanship occurs within the warranty period, Sapphire Scientific at its election will repair or replace the defective part at no charge.

What This Warranty Does Not Cover:

This warranty does not cover or apply to defects due directly or indirectly to misuse, abuse, disassembly, alteration, corrosive chemicals, improper voltage, improper fuel, fire, flood, negligence, accident, improperly or incorrectly performed maintenance or repair, or failure to perform necessary or recommended maintenance or repair (See your Owner's Manual) or if the use of this product is not in compliance with the instructions and specifications for its use. This warranty does not cover normal maintenance items such as air and oil filters, lubricants and tune up parts. Paint is not covered. Water box, recovery tank and frame are covered for five years. All other components including seals, o-rings and electrical components are covered for the entire two year warranty period. We limit all implied warranties to: Three (3) years from the installation date on parts and labor. It is strongly recommended that this truck mount be used with, and only with, Sapphire Scientific Chemicals and as directed by label instructions on chemical bottles.

OTHER THAN THE WARRANTIES PROVIDED HEREIN, SAPPHIRE SCIENTIFIC MAKES NO EXPRESS OR IMPLIED, ORAL OR WRITTEN WARRANTIES WITH RESPECT TO THIS PRODUCT OR WORKMANSHIP AND ALL WARRANTIES IMPLIED BY LAW INCLUDING ANY WARRANTIES OF MERCHANTABILITY OR FITNESS FOR A PARTICULAR PURPOSE ARE LIMITED TO THE DURATION OF THIS WARRANTY. **Some states do not allow limitations on how long an implied warranty lasts, so the above limitations may not apply to you.** WE SHALL IN NO EVENT BE LIABLE FOR DEATH, INJURIES TO PERSONS OR PROPERTY OR FOR INCIDENTAL, CONTINGENT, SPECIAL OR CONSEQUENTIAL DAMAGES ARISING FROM USE OF OUR PRODUCTS. **Some states do not allow the exclusion or limitation of incidental or consequential damages, so the above limitation or exclusion may not apply to you.**

How Do I Get Service?

In order to be eligible for service under this warranty you MUST do the following: (a) fill out the warranty registration card on-line within thirty (30) days of the installation of our product; (b) write or call a service representative at Sapphire Scientific for a return material authorization (RMA); and (c) have the serial number available. Proof of proper maintenance may be required before warranty is granted.

Contact us at:

Sapphire Scientific

2604 Liberator, Prescott, AZ 86301

Phone: 928-445-3030 / 866-445-3030

If Sapphire Scientific uncovers a defect we will repair or replace the product, at our election. Ground shipping and transportation costs will be covered by the manufacturer. Returning defective parts to the manufacturer, if required, shall be the responsibility of the purchaser. Warranty may be denied if defective parts are not returned within the allotted 30 days. If it is determined that there is no defect in the product, or that the defect resulted from causes not within the scope of our warranty, then the product will be repaired or replaced only at your request and at your expense and you must bear all shipping costs.

How Does State Law Apply?

This warranty gives you specific legal rights, and you may also have other rights which vary from state to state.

Table of Contents

SECTION ONE: GENERAL INFORMATION	1
CONTACT INFORMATION.....	1
SAFETY.....	2
SPECIFICATIONS	5
INSTALLATION REQUIREMENTS	6
RESPONSIBILITIES.....	6
RECEIVING YOUR PRO-1200 SE SYSTEM	7
OVERALL DIMENSIONS (IN INCHES).....	8
SECTION TWO: OPERATION	9
UNDERSTANDING THE SYSTEMS.....	9
PREPARATION AND OPERATION	18
OPERATION	23
GAUGE READINGS AND SETTINGS	25
SHUT DOWN AND DAILY MAINTENANCE	26
FREEZE PROTECTION.....	28
SECTION THREE: SERVICE AND MAINTENANCE	30
PRO-1200 SE MAINTENANCE CHART	30
PRO-1200 SERVICE INTERVAL CHART	31
MAINTENANCE.....	32
GENERAL SERVICE ADJUSTMENTS	39
TROUBLESHOOTING.....	45
SECTION FOUR: PARTS AND ACCESSORIES	51
ILLUSTRATED PARTS LISTING	52
WATER FLOW DIAGRAM	51
WIRING DIAGRAM.....	93
SECTION FIVE: BOX TRUCK COMPONENTS	95
ILLUSTRATED PARTS LISTING	96

SECTION ONE: GENERAL INFORMATION

CONTACT INFORMATION

For information about unit operation, maintenance or repair of your Sapphire Scientific equipment, please contact your local distributor.

To locate a local distributor, please visit our web site: <http://www.sapphirescientific.com/>

North American Distributors:

http://www.sapphirescientific.com/SSX_DistributorListings_NorthAmerica.aspx

If you need to contact Sapphire Scientific directly, for questions regarding this manual, service questions that cannot be resolved by your distributor, or other general information, please contact our service department here:

Phone: 1-800-932-3030

Service Email: service@sapphirescientific.com

Please fill in the information below so that you will have it on hand when contacting your distributor or Sapphire Scientific.

Serial Number: _____

Date of Purchase: _____

Purchased From (Distributor): _____

SAFETY

The following warning labels are on your **Pro-1200 SE** console. These labels point out important **WARNINGS** and **CAUTIONS**, which must be followed at **ALL** times. Failure to follow these warnings could result in injury or fatality to yourself and/or others or property damage. Please follow these instructions carefully! **Do NOT** remove these decals.



ROTATING MACHINERY. WATER UNDER PRESSURE AT HIGH TEMPERATURE. IMPROPER MODIFICATION OF EQUIPMENT CAN CAUSE SEVERE PERSONAL INJURY OR COULD BE FATAL.



Sapphire Scientific uses this WARNING symbol throughout the manual to warn of the possibility of physical injury or fatality. Please read all warnings carefully before operating the equipment.



Sapphire Scientific uses this CAUTION symbol throughout the manual to warn of the possibility of damage to equipment or personal property.

 **WARNING**

1. Read the operator's manual before starting this unit.

Failure to adhere to instructions could result in severe personal injury or could be fatal.

2. Operate your vehicle and equipment in a well-ventilated area.

Exhaust fumes contain carbon monoxide, which is an odorless and deadly poison that can cause severe injury or death. **DO NOT** run the vehicle in an enclosed area. **DO NOT** operate this unit where the vehicle exhaust may enter a building doorway, window, vent or other opening.



3. DO NOT place hands, feet, hair, clothing or any body parts near rotating or moving parts. Rotating machinery can cause severe injury or death.

4. NEVER operate this unit without belt and safety guards. High speed moving parts, such as belts and pulleys should be avoided while the unit is running. Severe injury, fatality and/or damage may result.

5. NEVER service a unit while it is running. High speed mechanical parts as well as high temperature components and fluids may result in severe injury or fatality.

6. Vacuum pump and heat exchanger components, hoses and fittings will be extremely hot from operation. To prevent severe burns, **DO NOT** touch these areas while the unit is running, or shortly after the unit is shut off.

7. Water under pressure can cause severe personal injury or fatality. Shut down unit, allow to cool down, and relieve system of all pressure before removing caps, valves, plugs, fittings, filters or hardware.

8. DO NOT smoke around the vehicle. Gas fumes could accumulate and ignite. Battery gasses are extremely flammable. This will prevent possible explosions.

9. All high-pressure hoses must be rated at 250° F and 3000 PSI. Severe injuries may result from improper hoses.

10. The Occupational and Health Administration (OSHA) recommends the use of hearing protection when a technician is exposed to an average of 85 decibels (this is an average of exposure over an 8 hour period). This equipment can produce 85 decibels at a distance of 10 feet. Please check with your local state agencies to see if OSHA standards apply to your application.

11. This unit produces high solution pressure. Improper use could result in injury.

 **CAUTION**

12. **DO NOT** damage the vehicle in any way during the installation. Avoid component or hose contact with moving parts, hot surfaces, brake lines, fuel lines, catalytic converters, exhaust pipes, mufflers, rotating parts or sharp objects.
13. **DO NOT** exceed the vehicle's payload capacity. This will prevent unsafe or hazardous driving conditions. Before installing any components into the vehicle, check with the vehicle manufacturer for the Gross Vehicle Weight Rating (GVWR). GVWR is the maximum allowable combined weight of the vehicle, including all passengers, fuel, fluids, tools and cargo.

Example: If the GVWR for a vehicle is 9600 lbs. and the vehicle has a base curb weight of 6406 lbs., this leaves a payload capacity of 3194 lbs. (GVWR - Curb Weight = Payload Capacity).
14. Always keep your vehicle clean and orderly. Tools and accessories must be securely stowed while driving the vehicle.
15. Ensure that you have received proper training and are familiar with the start-up and shut-down procedures prior to operation.
16. **DO NOT** alter or modify your **Pro-1200 SE** in any way. Use only replacement parts authorized by **Sapphire Scientific**. Modifications or use of unapproved parts could create a hazard and will void your warranty. Contact a **Sapphire Scientific** service representative at 866-445-3030 for assistance. This includes the use of any open ended hoses.
17. Failure to apply preventative measures towards freezing can result in system failure and loss of warranty on affected parts. Water freezes at 32° F and 0° C.

SECTION ONE – GENERAL INFORMATION

SPECIFICATIONS

Vehicle Engine Speed	1300-1500 RPM (High Speed/No Load) 1100-1300 RPM (Med Speed/No Load) 900-1100 RPM (Low Speed/No Load)
Water Pump (High Speed)	1585 RPM @ 1400 Engine RPM
Water Pump Flow Rate (High Speed)	5.0 GPM
Water Pump Pressure (Max)	1200 PSI
Vacuum Pump (High Speed)	3450 RPM @ 1400 Engine RPM
Vacuum Pump (Med Speed)	2955 RPM @ 1400 Engine RPM
Vacuum Pump (Low Speed)	2463 RPM @ 1400 Engine RPM
Vacuum Relief Valve	13 in. Hg
Waste Tank Capacity at Shut-Off	84 gallons
Waste Tank Gross Capacity	100 gallons
Console/Tank Weight (empty)	700 lbs.
Console/Tank Weight (full waste tank)	1401 lbs.

TORQUE VALUES

Pulley Hub (At drive shaft end)	15 ft./lbs. (180 in./lbs.)
Drive Clutch Bolt (center bolt, front end)	27 ft./lbs. (324 in./lbs.)

JET SIZING

Sapphire Scientific recommends that the total floor tool tip size be #4 or #6

INSTALLATION REQUIREMENTS

Prior to the installation of the unit, the vehicle that it will be installed in should be delivered to the installer. It is the purchaser's responsibility to ensure that the vehicle meets or exceeds payload capacity for all equipment being installed.

The Pro-1200 SE Direct Drive unit weighs approximately 1400 lbs. with a full waste tank. If a water pond is being installed, an additional 1100 lbs. needs to be included. Every accessory added will add weight.

Please adhere to the following recommendations prior to installing the unit:

1. It is NOT recommended that this unit be installed in any motor vehicle with a payload capacity less than 3000 lbs. To calculate the payload capacity, subtract the vehicle's base curb weight from its Gross Vehicle Weight Rating (GVWR). (GVWR - Curb Weight = Payload Capacity)
2. The combined weight of all equipment (including all fresh and/or waste water, tools and accessories) must NOT exceed the vehicle's payload capacity.
3. Sapphire Scientific does not recommend using any type of flooring materials that absorb water. This condition will result in rust and corrosion of the vehicle floor.
4. Insulation under rubber mats should be removed prior to installation of unit.

RESPONSIBILITIES

TRAINING

1. The dealer you purchased your unit from is responsible for training you in the operation, maintenance and safety precautions of your Pro-1200 SE unit.
2. It is the purchaser's responsibility to become familiar with the entire Owner's Manual, most importantly all Warnings, Cautions and Notices.
3. It is the purchaser's responsibility to review all warranty information.

INSTALLATION

1. The installer is responsible for correctly installing and properly securing equipment with proper hardware and underside mounting plates.
2. Check the components and oil levels prior to starting the unit.
3. Check that all components are operating at the factory specification.
4. Check all hoses and accessories for correct operation.
5. Check all tools/wands for correct operation.

RECEIVING YOUR PRO-1200 SE SYSTEM

ACCEPTANCE OF SHIPMENT

Your Pro-1200 SE system was tested, checked and inspected in its entirety prior to leaving our manufacturing facility. When receiving your unit, please make the following acceptance check:

1. The unit should not show any signs of damage. If there is damage, notify the deliverer immediately.
2. Carefully check your equipment. The Pro-1200 SE system should arrive with the following items as well as any additional optional accessories you may have ordered:

EQUIPMENT LISTING

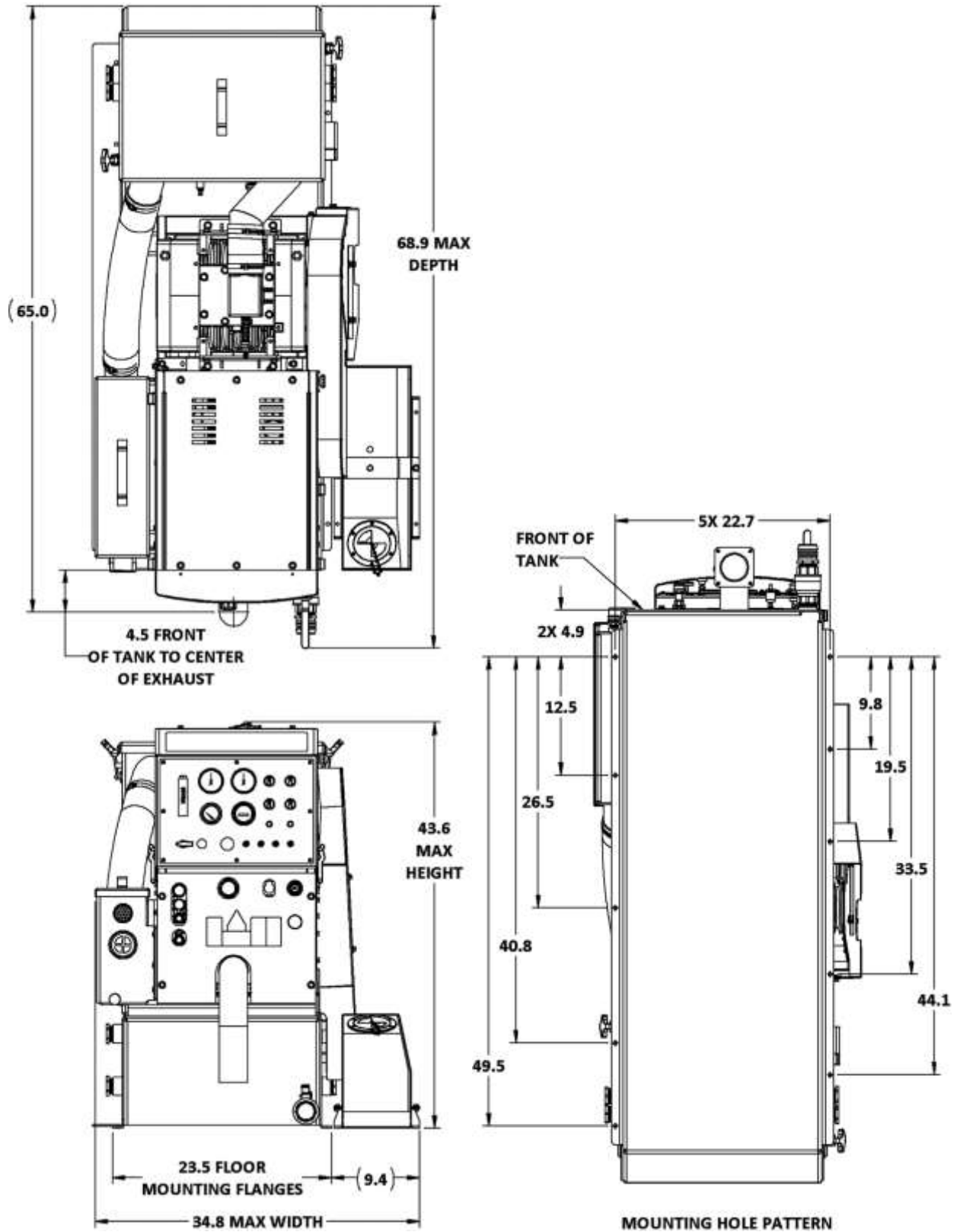
- Pro-1200 SE Console
- Pro-1200 SE Sub-Mount Waste Tank
- Wiring Harness
- Drive Pulley & Hub
- Bushing
- Front Clutch
- Manuals
- Center Console Components
- Speed Control/Delay Timer Pack
- Coolant Hose Manifold
- Exhaust Port Kit
- Vacuum/Solution Hose Port Kit
- Installation Hardware Box/Plates
- Front Drive Serpentine Belt
- Rear Drive Belts (van kit only)
- Doghouse drill templates for installer
- Doghouse Cut-Out Cover Plate
- Bag of Miscellaneous Install Hardware
- Red & Blue Coolant Hoses
- 5 Gallon Chemical Tank
- Drive Shaft Assembly
- Water Pond Retaining Plate
- Can of WD-40
- Tube of Mystik® JT-6® No. 2 Grease
- Right-Angle Grease Coupler
- 2 Wheel Chocks
- 100' of 2" Vacuum Hose
- 100' of 1/4" Solution Hose
- 50' of 1/2" Water Hose
- 67-081 - 14" Titanium Wand

BOX TRUCK KIT ONLY COMPONENTS

- Waste Tank Drain Fittings
- Pulley Box Kit

NOTE: *Box Truck Kit does **NOT** include Rear Drive Belts*

OVERALL DIMENSIONS (IN INCHES)



SECTION TWO: OPERATION

UNDERSTANDING THE SYSTEMS

NOTE: Read and understand this section of the manual entirely before proceeding.

This portion of the manual divides the unit up into systems and describes how each system works. Prior to proceeding into the operations and maintenance sections of this manual it is recommended that you acquire a basic understanding of how the unit functions.

WATER HEATING SYSTEM

Water from the supply source (building hose bib or van fresh water tank with demand pump) enters the console through the water inlet connection located on the upper right corner of the lower front panel.

The water flows through a “Y” strainer and inlet pressure regulator, directly to the inlet side of the water pump where it is pressurized. From here it flows through the coolant heat exchanger collecting the first stage of heat from the van engine.

The water is routed through the vacuum heat exchanger where it is further heated by the vacuum pump exhaust air passing over approximately 60 feet of finned tubing.

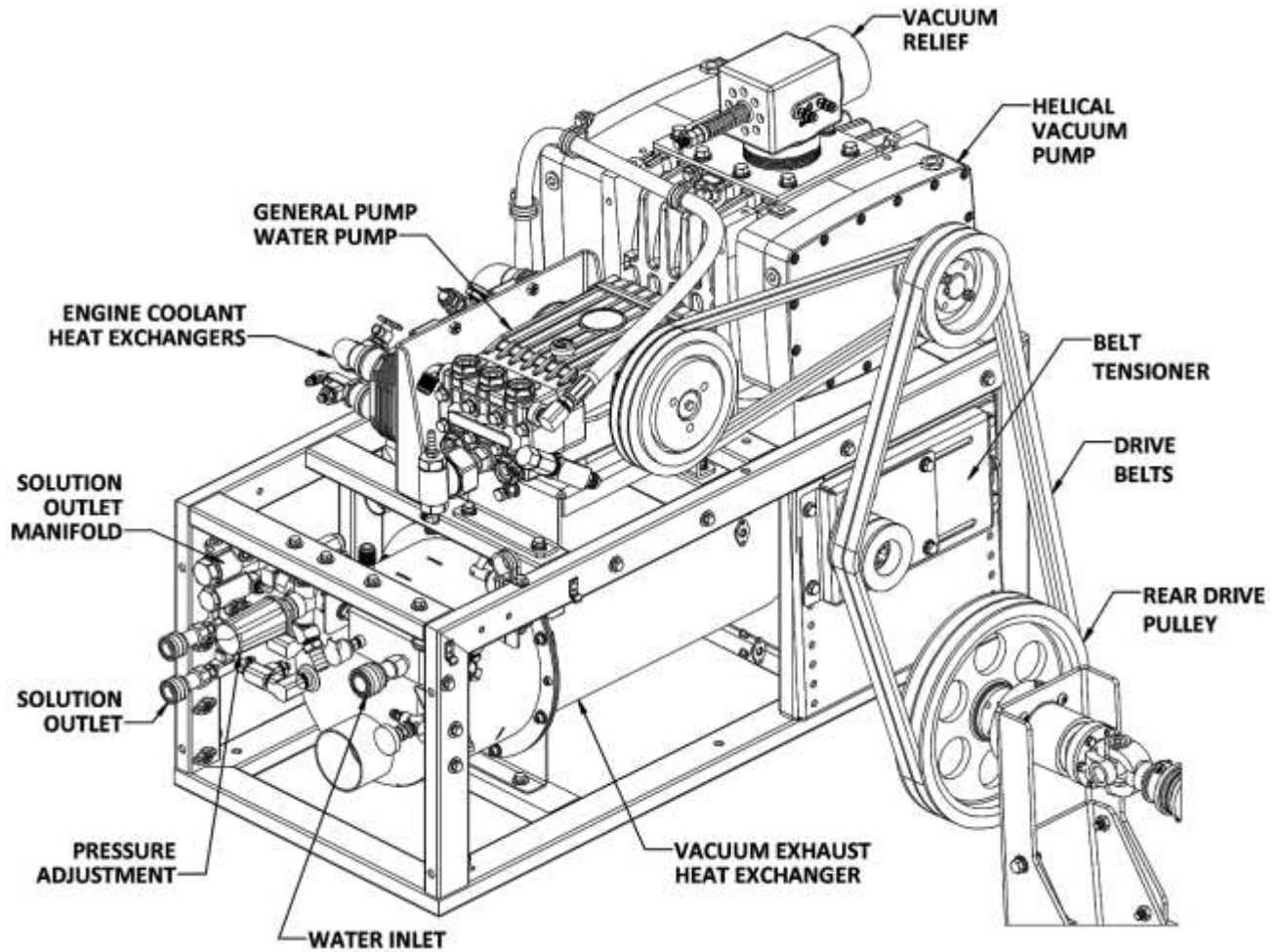
The hot water then flows through the solution outlet manifold that contains a strainer and check valve. The chemical injection takes place inside the manifold.

The mixture of hot water and chemical then flows through the outlet of the manifold to the cleaning tool.



The Pro-1200 SE uses coolant from the engine radiator. Be sure to inspect engine coolant levels regularly to maintain a full reservoir.

WATER HEATING SYSTEM DIAGRAM



WATER REQUIREMENTS

Because hard water deposits will damage the plumbing and heat exchange systems on this unit, Sapphire Scientific recommends that a high quality water softener be used in areas where the water hardness exceeds 3-1/2 grains. If a water softener is used, it must have a flow capacity of at least 5 GPM or greater, without any hose constrictions.

VACUUM SYSTEM

The van engine through an electric clutch and driveshaft turns the vacuum pump generating the vacuum. The air is channeled into the top of the vacuum pump, compressed and discharged out the opposite end, creating airflow. This airflow is used to do the work necessary for the extraction process.

Vacuum ports on the tool being used, applied to the surface being cleaned, removes moisture, dirt and spent chemicals. These elements are drawn back to the waste tank utilizing hoses and the force of air. Particles of moisture and dirt are separated in the waste tank using a series of changes in direction and velocity. The air is then filtered and rushes into the vacuum pump inlet.

The vacuum pump is also compressing the air drawn through it. Heat is generated as the air is compressed. The hot discharge air goes through the vacuum heat exchanger and is discharged from the console exhaust tube.

The vacuum pump speed is factory set to maximize vacuum pressure and provide sustained system life.

CAUTION

Do not alter the vacuum speed outside the recommended range shown in this manual. Doing so can result in severe damage to the unit and voidance of warranty.

A level shut-off sensor (float switch) is located behind the console in the waste tank tower and will shut down the unit before the tank is at full capacity. This protects the vacuum pump from water damage.

CAUTION

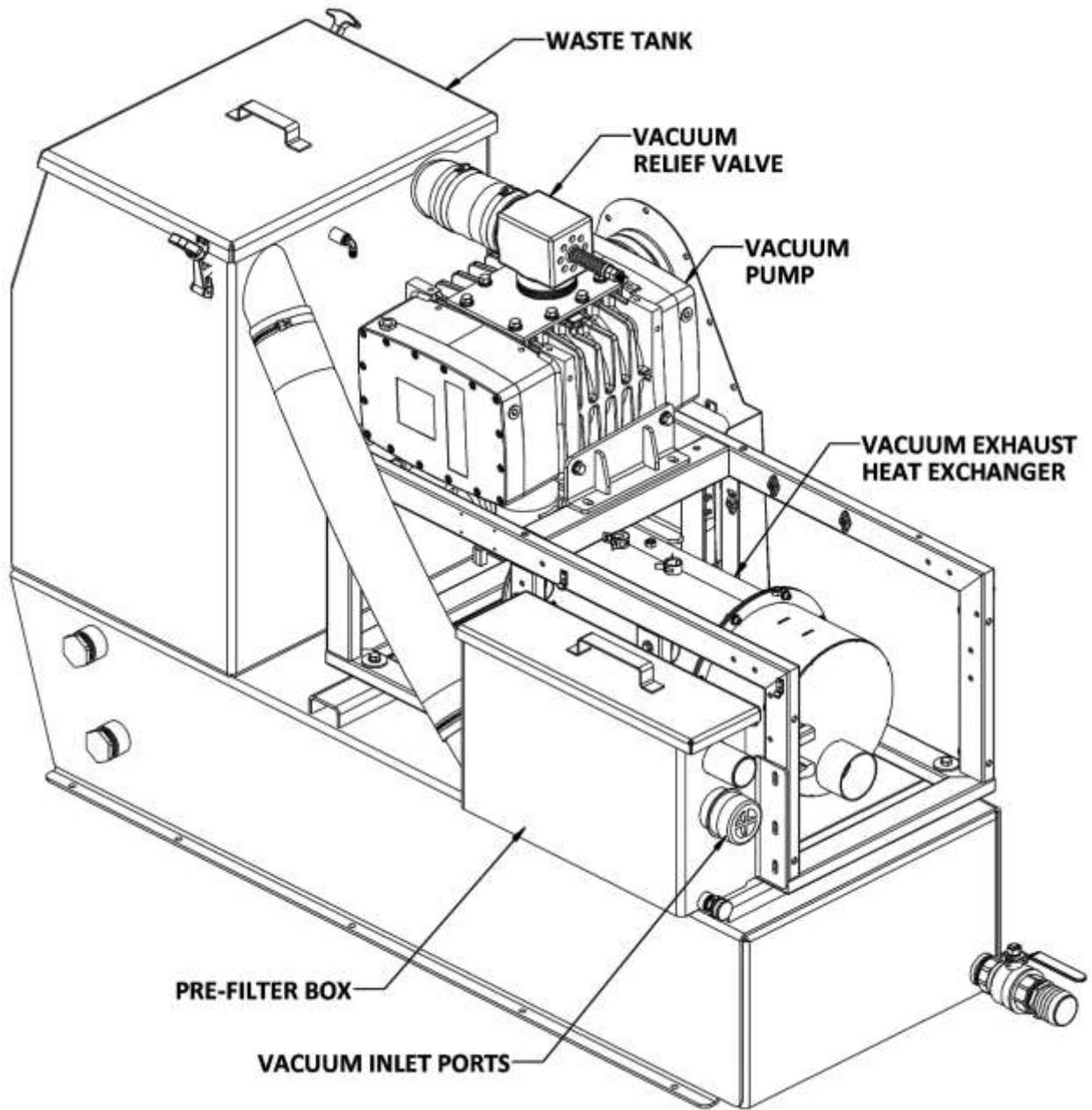
Waste tank level shut-off will not detect high foam levels. Foam entering the vacuum pump can cause damage to the unit. The use of a quality defoamer is recommended.

A green indicator lamp will illuminate to alert the operator when the tank is full, the unit will shut down and the waste water needs to be disposed of before the operation can continue.

IN ACCORDANCE WITH EPA, STATE AND LOCAL LAWS, DO NOT DISPOSE OF WASTE WATER INTO GUTTERS, STORM DRAINS, STREAMS, RESERVOIRS OR ANY NON-COMPLIANT RECEPTICLE.

Always check local laws and regulations regarding “gray” water disposal. The penalties for non-compliance can be serious.

VACUUM SYSTEM DIAGRAM

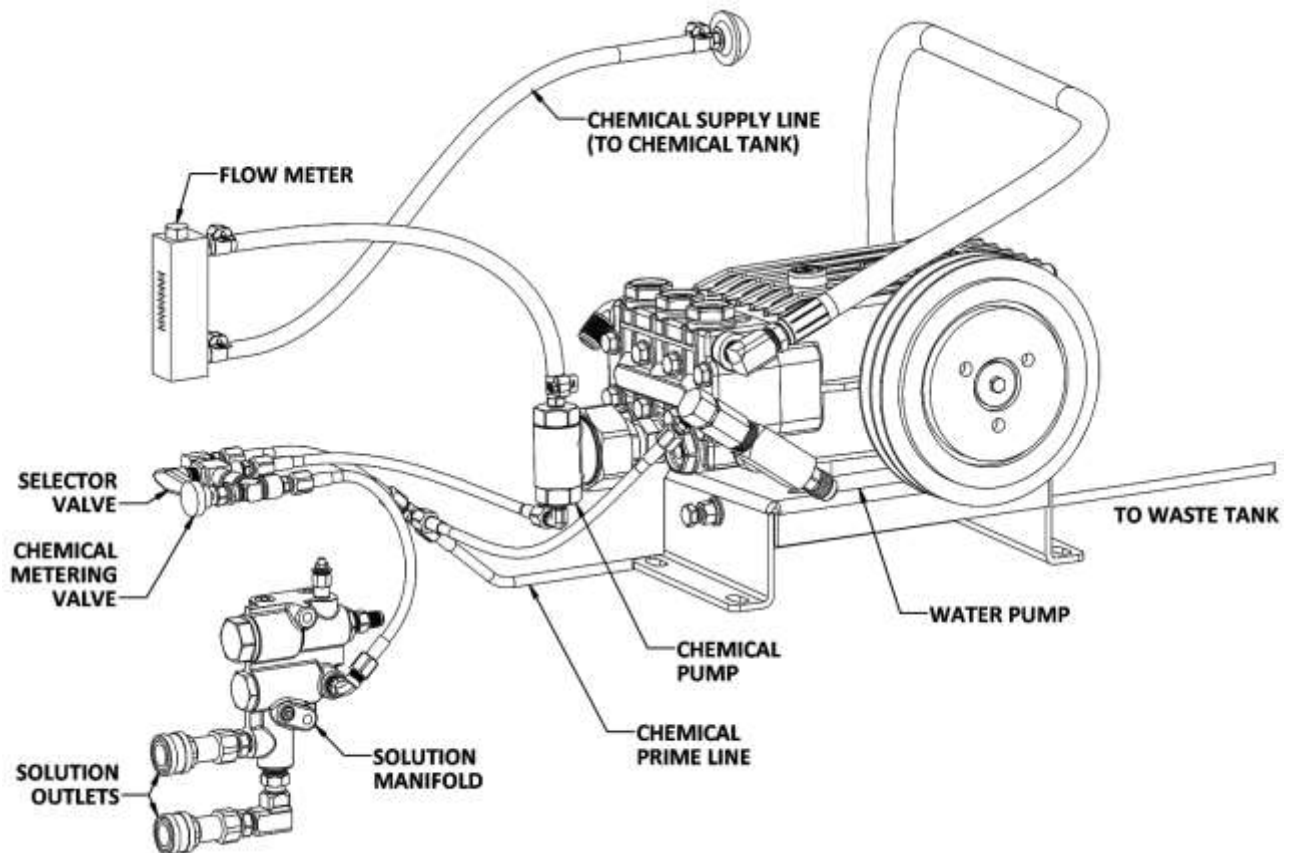


CHEMICAL SYSTEM

The chemicals are drawn from the chemical container through a strainer into the flow meter mounted on the control panel. The flow meter indicates the rate of chemical flow in gallons per hour.

The chemicals then flow through the stainless steel chemical pump. The chemical is injected into a three-way selector valve located on the front panel. This valve may be used to turn the chemical flow ON, OFF or to PRIME the chemical pump.

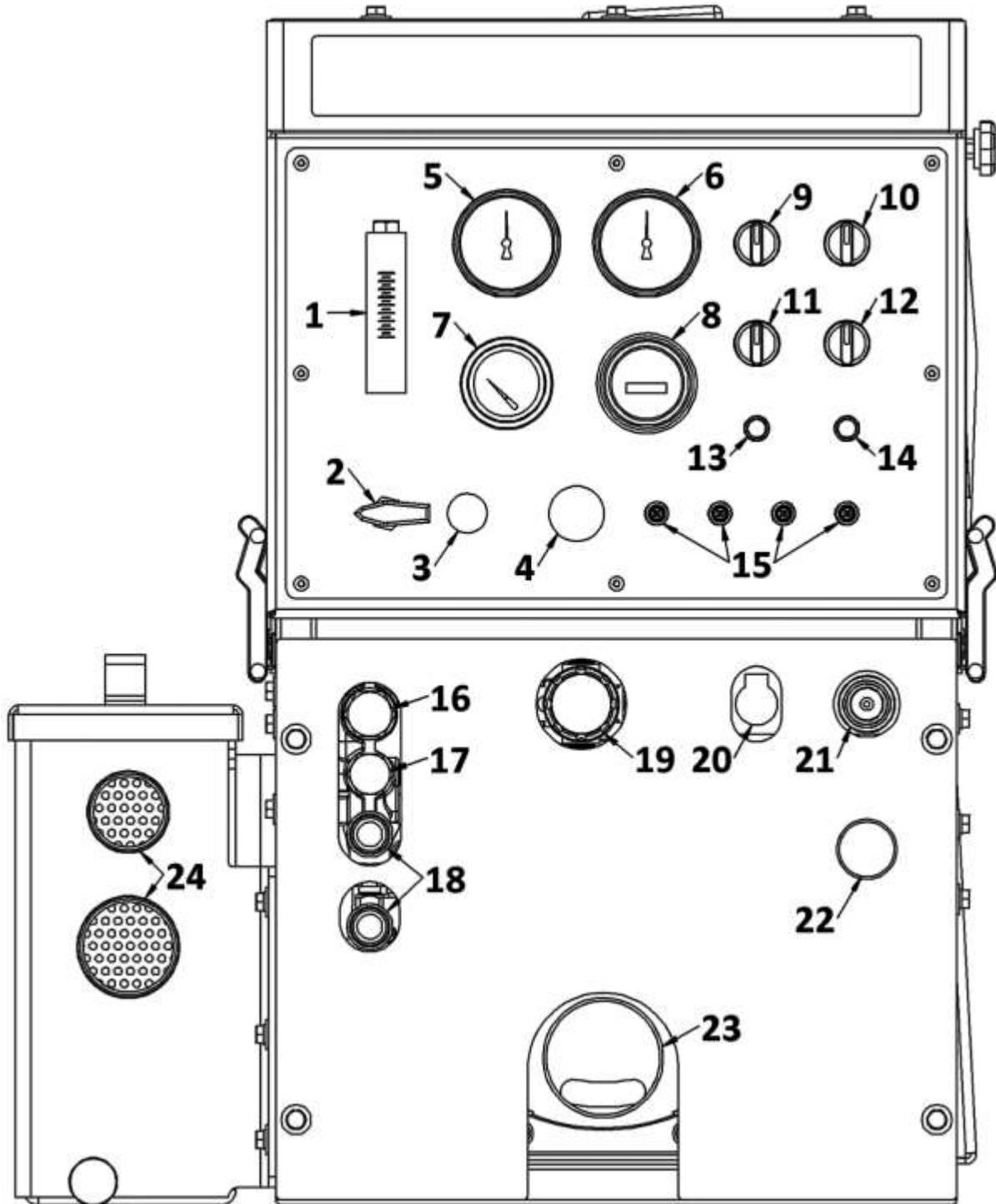
When in the ON position, the chemicals then flow through the chemical metering valve to the solution outlet. This valve controls the rate of flow to chemical into the cleaning solution, which is indicated on the flow meter.



CHEMICAL REQUIREMENTS

The Sapphire Scientific Pro-1200 SE Direct-Drive unit's unique last step chemical injection system can be used with a variety of water diluted chemical compounds, either acidic or alkaline, depending on the work to be performed. We recommend only using Chemspec brand of chemistry.

CONTROLS AND GAUGES



SECTION TWO – OPERATION

1. CHEMICAL FLOW METER

Visual display of chemical flow through the system.

2. CHEMICAL SELECTION VALVE

The chemical selection valve allows you to start, stop or prime the chemical flow.

3. CHEMICAL METERING VALVE

The chemical metering valve allows you to control the amount of chemical flow being injected into the cleaning solution.

4. TEMPERATURE CONTROL VALVE

This valve regulates the mixture of warm and hot water in the system. Turning the knob counterclockwise cools the solution output temperature. Turning the knob clockwise allows more hot water to enter the solution.

5. WATER PRESSURE GAUGE

This gauge registers the amount of pressure in the water system.

6. VACUUM PRESSURE GAUGE

This gauge indicates, in inches of mercury, how much vacuum the system is producing at any given time

7. WATER TEMPERATURE GAUGE

This gauge measures the temperature of the water at the solution manifold.

8. HOUR METER

The hour meter records the operating time of the unit. This is used to calculate maintenance intervals.

9. PUMP OUT SWITCH

The pump out switch is used to turn a waste pump ON or OFF, if an optional automatic waste pump has been installed.

10. ENGINE SPEED CONTROL SWITCH

This switch controls the engine RPM setting while the unit is operational. RPM ranges have been preset at the factory: Low: 900-1100 RPM, Med: 1100-1300 RPM, High: 1300-1500 RPM.

11. AUXILIARY SWITCH

The auxiliary switch is used to turn an auxiliary item ON or OFF, if an optional accessory item, such as a motorized hose reel, has been installed.

12. CLUTCH CONTROL SWITCH

The clutch control switch is used to engage or disengage the drive clutch and solution pump clutch. The “VAC” setting will engage the unit without the solution pump. This is used for extraction purposes. For normal cleaning operation, use the “VAC/PUMP” setting to engage the solution pump.

13. WASTE TANK FULL INDICATOR LIGHT

This indicator light is activated when the waste tank has reached full capacity. The unit will shut down to protect the components from damage. The waste tank must be emptied before the unit can be brought back in service.

14. ENGINE TEMPERATURE SHUTDOWN INDICATOR LIGHT

This light is activated by the engine when an overheating condition causes a shut-down. When this occurs, troubleshooting is required.

15. CIRCUIT BREAKERS

Circuit breakers protect system components and wiring from electrical spikes or overloading in the system.

16. CHEMICAL CHECK VALVE

The chemical check valve allows the chemical injection into the water stream to form the cleaning solution. This is accessible on the front panel for maintenance and service.

17. SOLUTION SCREEN

The solution outlet filter catches debris in the solution stream before it exits the unit for the cleaning tool.

18. SOLUTION OUTLETS

The pressure outlet is where you connect your solution hose. The Peak 500 has 2 outlets for 2 separate solution hoses.

19. PRESSURE REGULATOR

The pressure regulator sets the pressure of the solution system. This spring loaded valve can be adjusted up or down. The pressure is increased by turning the valve clockwise, or reduced by turning the valve counterclockwise. This valve must be maintained in accordance with the maintenance table in this manual.

20. VACUUM LUBRICATION CUP

The vacuum relief valve lubrication cup is used to deliver lubrication to the vacuum pump. This prevents rust from building up inside the pump. See the shut-down and daily maintenance sections for more information.

21. WATER INLET

The water supply inlet is where you connect your fresh water supply hose.

SECTION TWO – OPERATION

22. HOT WATER VALVE

This valve allows the operator to fill the chemical jug with hot water while the unit is running.

23. EXHAUST OUTLET

Exhaust from the vacuum pump.


24. VACUUM INLET HOSE PORTS

The vacuum inlets are where you connect your vacuum hoses. The Pro-1200 has one 2 inch vacuum port and one 2-1/2 inch port located on the prefilter box. When using one cleaning tool, always plug the open port to avoid loss of vacuum.

NOTE: For a greater explanation of gauges, see the section “Gauge Readings and Settings”.

PREPARATION AND OPERATION

This section of the operator's manual explains how to prepare, start, operate, shut down and maintain your **Pro-1200 SE** direct-drive cleaning unit. The **Pro-1200 SE** unit is easy to operate, however only trained operators should proceed.

 **WARNING** Operate this unit and equipment only in a well-ventilated area. Exhaust fumes contain carbon monoxide, which is an odorless and deadly poison that can cause severe injury or death. DO NOT run this unit in an enclosed area. DO NOT operate this unit where the exhaust may enter a building doorway, window, vent or any other opening.

VEHICLE PREPARATION

ENSURE THERE IS ADEQUATE FUEL

Check the fuel tank to ensure there is adequate fuel to complete the job and transport the vehicle. This unit consumes approximately 2 US gallons of fuel per hour, depending on the speed setting.

CHECK VEHICLE SETTINGS

Park the vehicle in a well-ventilated area, place automatic transmission in Park and set the emergency brake. **Make sure the heat and AC on the van are set to the OFF position.**

VEHICLE WILL BE RUNNING

The vehicle must remain running and the accelerator and brake cannot be tampered with. If the vehicle is to be left unattended, the doors should be locked and the hoses run through a security access door.

REMOVE TOOLS FROM THE VEHICLE

Remove any tools, accessories or hoses from the vehicle that you will require.

 **CAUTION**

Do not park the vehicle on a lawn or close to shrubs, as heat from exhaust or water overflow may cause damage.

 **CAUTION**

Do not allow vacuum or solution hoses to rest against vehicle exhaust pipe. This can result in damage.

 **CAUTION**

Do not operate machine with covers or guards removed.

UNIT PREPARATION

WATER SUPPLY CONNECTION

NOTE: Prior to connecting your water inlet hose to any supply faucet, flush out the faucet until the water is free of any debris. Also, flush out any debris from your water inlet hose.

1. Connect the hose to the water supply faucet and flush out any debris from the faucet and hose.
2. Connect the hose to the water inlet fitting on the front of the unit. Activate the valve on the water inlet to an open position.
3. Turn the water supply faucet on.

NOTE: Never use a waste pump outlet hose as a water inlet hose. Use only clean hoses for water supply.

CHECK YOUR DRAIN VALVES

Make sure the waste tank and pre-filter box drains are closed.

CONNECT SOLUTION HOSES

Before starting the unit, connect the high pressure solution hose(s) to the solution outlet connection(s) at the front of the unit. Connect the cleaning tool(s) to the opposite end of the pressure hose(s).

CHECK YOUR CHEMICAL LEVELS

Check the chemical jug to make sure you have enough chemical mixed to finish the job. The hot water valve on the lower front panel is intended to be used to add water to the chemical jug when the unit is running.

CHECK FILTERS

Inspect the vacuum inlet filter and strainer basket in the waste tank. Inspect the strainer basket inside the pre-filter box. See the Shut Down and Daily Maintenance section below for more information.



NEVER operate the unit with the waste tank air filter removed, damaged or not properly installed.

STARTING THE UNIT

1. Make sure van is in Park, parking brake is set and heater and A/C are off. The accelerator pedal or brake pedal cannot be engaged. Start the vehicle.
2. The engine must be running and idling at the low RPM setting.
3. The vehicle cannot sense motion.
4. Make sure the pressure hoses are connected properly and valves are open or closed as needed.
5. Connect the vacuum hose(s) to the vacuum inlet connection(s) on the pre-filter box. Connect the opposite end of the vacuum hose(s) to the desired tool(s).
6. Set the **clutch control switch** to the desired operation. Use the vacuum position for water recovery only or the pressure/vacuum position for cleaning operations.
7. Set the **engine speed control switch** to the desired operating speed.

NOTE: Water is under pressure, be sure that hoses are secured before turning the pump on.

8. Depress the cleaning tool trigger and observe the water pressure gauge reading. Set pressure to 450 PSI or as needed for the job being performed. To adjust the pressure, turn the unloader handle clockwise to increase pressure and counterclockwise to decrease pressure.

NOTE: If the unit does not build water pressure after 5 seconds, check for adequate water supply. See the troubleshooting section of this manual for more information.

9. Depress the cleaning tool trigger and read the face panel temperature gauge. Set the output water temperature by adjusting the temperature control valve which is located on the instrument panel. When the valve is closed, the temperature will be at maximum. Open the valve to reduce temperature.

NOTE: Let the unit run for a few minutes with the vacuum inlets partially blocked off to warm up the cleaning solution.

PRIMING THE CHEMICAL PUMP

NOTE: **SAPPHIRE SCIENTIFIC** recommends that the chemical pump be primed whenever the water pump is turned on. This eliminates possible pressure fluctuations and damage to the chemical pump.

1. Turn the chemical selector valve located on the instrument panel to the **PRIME** position. The chemical will then flow from the chemical container through the chemical prime tube into the vacuum system.
2. Momentarily obstruct the vacuum port to create a load.



To reduce the risk of injury: NEVER obstruct a vacuum port with your hand or other body part. Keep hair, loose clothing and all body parts away from vacuum port openings while unit is in operation.

3. When the chemical flows with no air bubbles, priming has been achieved.
4. Turn the chemical selector valve from **PRIME** to **ON**.
5. With the cleaning tool open, check the flow meter and adjust the chemical metering valve until the desired rate of chemical flow is achieved.

NOTE: When inserting the chemical tube into the chemical container, ensure that it stays submerged, as the chemical pump will not function if air is allowed to enter the inlet line.

CHEMICALS

CARPET CLEANING

Always use a good quality chemical that is recommended for use in truck mount equipment. Mix chemical thoroughly in accordance with the manufacturer's recommendations.

NOTE: Combining two or more chemicals, inadequately dissolving powders or using inferior quality materials can cause sediment to build and clog your equipment. Serious damage can result from using improper chemicals or mixtures.

UPHOLSTERY CLEANING

Use only chemicals recommended for wet cleaning of upholstery fabrics.

AUTOMATIC WASTE PUMP

If your unit is equipped with an **optional** automatic waste pump:

1. Connect one end of the 5/8 in. or larger garden hose to the pump-out connection and the other end to an acceptable waste disposal.
2. Turn the pump-out switch located on the front console control panel to the **ON** position. The waste pump will now operate automatically throughout the cleaning period.

DO NOT use an outlet hose that is smaller than 5/8" I.D.

NEVER use a waste pump hose as a water inlet hose.



NEVER dispose of waste water in a storm drain, water way or on ground areas. Always dispose of waste in accordance with Local, State and Federal laws.

OPERATION

After you have completed the previous steps, proceed with the cleaning or restoration operation. Set the engine control speed to the desired position for the job. A float shut-off switch is located inside of the waste tank. It will automatically shut down the unit if the tank reaches its full capacity. If this occurs, empty the waste tank before continuing. When doing water extraction, the clutch control switch should be set to the VAC position.

CARPET CLEANING

While cleaning, please observe the following guidelines:

1. Before cleaning, ensure that wand nozzles are functioning properly.
 - a. Hold the wand approximately one foot above the surface to be cleaned and open the wand valve. A full, even spray should emit from the cleaning nozzles.
 - b. If the nozzles are not showing a full, even spray pattern, adjust, clean or replace the nozzles as required.
2. Usually chemical solution is applied during the push stroke of the wand during cleaning, and extraction is done on the pull stroke. For heavily soiled carpets, the wand may be used in a scrubbing action, with chemical solution applied in both strokes, provided that the final stroke is a pull stroke with no chemical injection.



Do not leave wand with suction head against the carpet when not in use. Turn the wand on its side when leaving unattended.

UPHOLSTERY AND STAIR TOOL CLEANING

When cleaning upholstery, run the unit on low speed. Upholstery tools have a lower flow rate and smaller orifices. Only use chemicals recommended for wet cleaning of upholstery fabrics. Consult the factory for specific instructions.

FLOOD RESTORATION/EXTRACTION

1. Set the engine speed control switch to **HIGH** on the instrument panel. Make certain that the clutch control switch is set to **VAC** for VACUUM ONLY. This disengages the water pump clutch to prevent pump damage. Proceed into the extraction process.



NEVER set the clutch control switch to VAC/PUMP without the water inlet being hooked up and open to a continuous water supply. Running the water pump dry will damage the pump.

2. Connect the vacuum hose directly to the pre-filter box vacuum port. Do not use an active live vacuum hose reel or excessive vacuum loss will occur.
3. Drain recovery tank as needed. Return machine to normal settings when done.

DUAL WAND OPERATION

The direct drive Pro-1200 SE has sufficient capacity for dual wand operation with minimal pressure loss at each wand. The pump pressure and temperature can remain at the same levels as for single wand operation. The chemical flow rate may be set slightly higher than for single wand operation.

Always use the **LOWEST** flow rate that properly cleans the affected areas. Excessive chemicals can cause damage to the items being cleaned.

GAUGE READINGS AND SETTINGS

VACUUM GAUGE

The vacuum gauge should read near zero with vacuum hoses disconnected from the pre-filter box. If the gauge shows a reading, check the filter in the waste tank and the strainer baskets in both the waste tank and pre-filter box for debris. With vacuum ports sealed, and machine running at high speed, the vacuum gauge should read 11 to 13 inches of mercury (in. Hg). This is preset by the factory for the maximum safe operation.



DO NOT exceed 13 in. Hg vacuum pressure. This can cause damage to the drive clutch.

TEMPERATURE GAUGE

The low speed setting is for upholstery and delicate cleaning. Set the machine to medium speed for single wand operation. The high speed setting is for dual wand operation or the use of a powered cleaning tool, such as the Sapphire Scientific HOSS. If a lower temperature is desired, open the temperature control valve on the instrument panel until the desired temperature is obtained. The highest temperatures will be achieved with the valve closed.

WATER PRESSURE GAUGE

Water pressure is set by adjusting the unloader valve for the desired water pressure. Normal settings are as follows:

- 200 PSI for upholstery cleaning
- 450 PSI for carpet cleaning
- UP TO 1200 PSI maximum

If an upholstery tool is designed for truck mount operation, the pressure for upholstery cleaning can be set at the same level as for carpet cleaning.

HOUR METER

The hour meter records the operating time of the machine. This information is used to calculate the water pump and vacuum pump oil change intervals as well as machine maintenance periods.

FLOW METER

The flow meter reads the flow rate from the chemical jug while the chemical is being drawn. The chemical adjustment should normally be set at 1 or 2 GPH for a normal job and at 2 or 3 GPH for an extremely dirty job.

NOTE: The setting is also dependent on the type of chemical used and the concentration ratio of chemical to water.

Always use the LOWEST flow rate that properly cleans the affected areas. Excessive chemicals can cause damage to the items being cleaned.

SHUT DOWN AND DAILY MAINTENANCE

CAUTION

When you turn your machine off, the electronic throttle control does not immediately turn off. It will continue to slowly idle the engine down to standard idle. Once the vehicle engine has reached the target idle speed, the throttle control module will hand back engine speed control to the vehicle computer. Interrupting this change-over by not obeying the following can trigger the check engine light or engine shut down.

1. Turn the clutch control switch to the **VAC** position for vacuum only.
2. Trigger the cleaning tool to relieve pressure on the hoses, then remove as much moisture from the vacuum hoses as possible. This will prevent spillage of waste water in your vehicle when returning hoses.
3. Disconnect the vacuum hoses from the unit, leaving the vacuum port(s) open.
4. Set engine speed control switch to the **LOW** position and allow idle to drop.
5. Turn the chemical selector valve to the **OFF** position. Flush out the chemical system with fresh water to remove any chemical residue.
6. Turn the clutch control switch to the **VAC** position.
7. Allow the unit to run for at least 3 minutes. This will also help to remove any excess moisture from the vacuum pump and cool the unit down.

NOTE: If shutting down for the day – plug the vacuum inlet and set the engine speed control switch to HIGH. Spray a water displacement/lubricant into the vacuum lubrication cup located on the lower front panel for 10 seconds.

8. Ensure that all appropriate switches are in the **OFF** position. This will prevent a drain on the battery.
9. Turn off the water supply. Loosen the water supply hose at the water supply to bleed off any pressure, then disconnect the water hose from the water inlet fitting.
10. Activate valves on all cleaning tools to relieve any remaining pressure. Disconnect the cleaning tools from the solution hoses and return them to the vehicle.

CAUTION

Wait 2 minutes before doing any of the following:

- Shifting the vehicle out of Park.
- Turning the vehicle engine off.
- Pressing the accelerator pedal.

11. Make sure the waste tank is drained into an approved source.

WARNING

NEVER dispose of wastewater in a storm drain, water way or on ground areas. Always dispose of waste in accordance with Local, State, and Federal laws.

SECTION TWO – OPERATION

12. Remove the strainer baskets from the filter boxes and clean thoroughly before replacing.
13. Check the waste tank filter for debris.

NOTE: To remove the vacuum inlet filter, grip the plastic hexagon section of the filter. Gripping the filter by the screen will collapse or destroy the filter. After cleaning, grease the threads on the filter and replace the filter. Tighten the filter until hand tight and then loosen $\frac{1}{4}$ turn. This will make the filter easier to remove when cleaning or replacement is required.



NEVER operate this unit with the filter removed, damaged or improperly installed.

At the end of the work day, rinse out the waste tank with fresh water.

Clean the vehicle interior, unit, tools, hoses etc., as needed. Inspect **ALL** equipment and accessories for any damage, leaks, wear, etc.

AUTOMATIC SHUT DOWNS

There are two reasons the unit will automatically shut down:

1. When the waste tank is full, the machine will shut down and a green indicator light will illuminate on the instrument panel. If this happens, turn the clutch control switch to the OFF position and empty the waste tank into an approved source to resume operation.
2. A red high temperature light will illuminate along with machine shut down if the engine coolant temperature reaches 240 degrees.

FREEZE PROTECTION



If the unit is exposed to freezing weather conditions, the water inside of the unit may freeze, resulting in **SERIOUS DAMAGE** to the unit. Water freezes at 32° F and 0° C. The following is recommended to prevent this from occurring during the cold weather season:

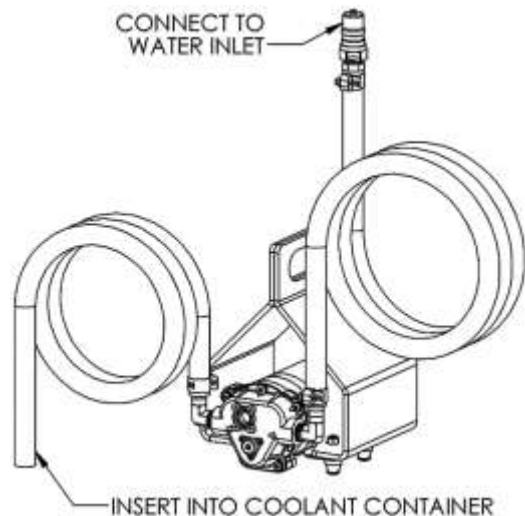
1. If possible, park the unit in a heated building when not in use.
2. While out in operation, avoid long periods of shut down as the unit generates heat while running. Keep the unit running just prior to leaving for the next job.
3. If a heated building is not available, winterize the unit with antifreeze.

WINTERIZING YOUR UNIT WITH ANTIFREEZE:

The easiest way to introduce antifreeze into the system is to use a low-pressure pump to suction the antifreeze directly from the container and force it into the pressure pump.

If there are air pockets in the system, simply connecting a hose to the water inlet will not draw the antifreeze to the pressure pump. Legend Brands offers kit number 68-424 that includes a pump, hoses and fittings to make winterizing simple.

1. Shut off the water supply to the unit and disconnect the water inlet hose from the unit.
2. Connect all solution hoses and a tool to the unit.
3. Attach the hose from the winterizing pump kit to the water inlet and into the antifreeze source.
4. Start the unit with the engine speed control switch in the **LOW** position and the clutch control switch in the **VAC/PUMP** position.
5. Open a valve on the connected tool until antifreeze comes out of the tool. Repeat with all remaining tools and hoses.
6. After the tools and solution hoses have been filled with antifreeze, disconnect and store them.



NOTE: Recover all antifreeze that comes out of the tools and hoses. **ALWAYS** re-use or recycle antifreeze.

NOTE: Remove as much water as possible from the hoses before storing in cold winter. If needed, use air to blow out any remaining water.

7. Prime the chemical injection system with 100% glycol based antifreeze. Insert the chemical inlet tube into the antifreeze container. Turn the chemical valve to **PRIME** until antifreeze is observed for 5 seconds in the flow meter. Turn the chemical valve to **ON**. Ensure that the flow meter indicates flow while the attached tools solution valves are open. After 25 seconds, turn the chemical valve to the **OFF** position.

REMOVING ANTIFREEZE FROM THE UNIT:

1. Connect a water hose to the water supply and flush out any debris from the faucet and hose. Connect to water supply inlet. Turn on the water supply.
2. Connect a pressure hose to the solution outlet and make sure the valve is in the open position.
3. Connect the hose to a tool.
4. Start the unit with the engine speed in the **LOW** position.
5. Submerge the chemical hose into fresh water. Turn the chemical valve to the **PRIME** position until the water runs clear through the flow meter.
6. Set the chemical selection valve to **ON**. Turn the clutch control switch to the **VAC/PUMP** position. Open the tool valve to release the antifreeze from the unit into an approved container.

After all of the anti-freeze has been removed, the unit is ready to operate.

The anti-freeze in your approved storage container will eventually become diluted with water. When the anti-freeze level drops below 70% of the total mixture, properly dispose of it and start over with fresh 100% anti-freeze.

NOTE: Be sure to remove antifreeze from ALL your tools and hoses as necessary.



DO NOT drain used anti-freeze on the ground or into storm drains. Dispose of anti-freeze only in an approved location. Observe Local, State and Federal laws when disposing of antifreeze.

SECTION THREE: SERVICE AND MAINTENANCE

PRO-1200 SE MAINTENANCE CHART

DAILY MAINTENANCE

Vacuum Pump	Check vacuum pump oil level. Fill to proper level. Do not overfill. (1)
Vacuum Pump	Spray WD-40 (or Equivalent) into the lubrication cup for 10 seconds.
Water Pump	Check water pump oil level. (2) Fill to proper level.
Vacuum Inlet Filter	Inspect filter, clean and or replace if required. (1)
Strainer Baskets	Empty and clean stainless steel baskets in the waste tank and pre-filter box.
Vacuum Hoses	Rinse with fresh water.
Waste Pump-Out	Inspect and remove any debris or sediment. (1)
Engine Oil	Check oil level in vehicle, fill as needed.

WEEKLY MAINTENANCE

Float Switch(es)	Clean and inspect float switch(es) in the waste tank.
Chemical System	Flush chemical system with 50/50 water and vinegar solution.
Visual Inspection	Check for leaks around the unit and vehicle.

MONTHLY MAINTENANCE

Wye Strainer	Clean and remove any debris. (1, 3)
Inlet Pressure Regulator	Clean and remove any debris. (1, 3)
Engine Air Cleaner	Check vehicle engine air cleaner. Clean or replace as necessary.
Battery Terminals	Check vehicle battery terminals. Clean as needed.
Wiring Harness	Check wiring throughout for signs of chafing or wear.
Check fasteners	Check fastener tightness on all components. Tighten as needed.
Engine RPM	Check vehicle engine RPM on tachometer.

YEARLY MAINTENANCE

Check-Valve	Check seat for abnormal wear or debris. Replace as needed.
Vehicle	Complete service on vehicle.
Engine Coolant System	Flush the vehicle cooling system. Add new antifreeze.

To maximize the operating life and performance, use only recommended oils, filters and greases.

(1) Or as often as required.

(2) Change water pump crankcase oil after **first 50 hours** of operation.

(3) Inspect after **first week** of operation, and remove any debris present. Inspect again after **2 to 4 weeks**.

PRO-1200 SERVICE INTERVAL CHART**SERVICE INTERVALS – EVERY 50 HOURS**

High Pressure Hoses	Inspect hoses for wear, damage or impending rupture. Replace if damaged.
---------------------	--

SERVICE INTERVALS – EVERY 100 HOURS

Vacuum Relief Valve	Check and adjust vacuum relief valve up to 13" Hg if needed.
Pressure Regulator	Lubricate o-rings. Use only o-ring lubricant (Sapphire Scientific P/N 13-003)
Belts	Re-tension all belts (1)

SERVICE INTERVALS – EVERY 250 HOURS

Chemical Metering	Inspect packing nut on selector and metering valves. Adjust as needed.
Drive Shaft	Grease u-joints, splines and zerks. Use only Mystik® JT-6® Hi-Temp No. 2 grease.

SERVICE INTERVALS – EVERY 500 HOURS

Water Pump	Change crankcase oil (2)
Pulleys and Hubs	Check pulleys and hubs for proper torque. (3)

SERVICE INTERVALS – EVERY 1000 HOURS

Belts	Replace all belts.
Vacuum Pump	Drain, flush and replace oil. (4)

SERVICE INTERVALS – AS NEEDED

Chemical Pump	Inspect/Replace
Engine Oil and Filter	Change engine oil and filter every 2000 miles.

To maximize the operating life and performance, use only recommended oils, filters and greases.

- (1) Re-tension belts after **first 25 hours**, then every **100 hours** of operation after.
- (2) Change water pump crankcase oil after **first 50 hours** of operation.
- (3) Check pulley and hub set screws after **first 50 hours** of operation, and again at **100 hours** of operation.
- (4) Every **1000 hours** or **yearly**, whichever comes first.

MAINTENANCE

This section of the operator’s manual contains the service and maintenance information for the Pro-1200 SE unit. A planned preventative maintenance program will ensure that your Pro-1200 SE has optimum performance, long operating life, and a minimum amount of down time.



WARNING

DO NOT attempt to service this unit while it is running. High speed parts as well as high temperature components may result in severe injury, severed limbs, or fatality.

NOTE: Refer to the hour meter as a guide for coordinating a maintenance schedule.

VACUUM PUMP

NOTE: Refer to the provided Vacuum Pump Operation and Service Manual for specific instructions.

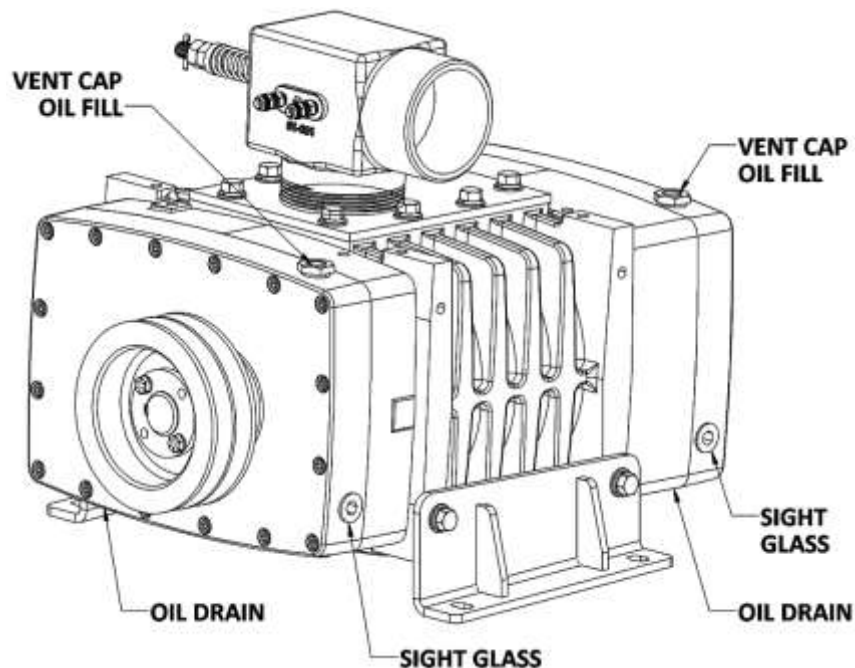
Lubrication: Sapphire Scientific *requires* that you use only AEON PD-XD Synthetic vacuum pump Lubricant in both sides of the vacuum pump for all operating temperatures. AEON PD-XD is formulated specifically for positive displacement vacuum pump service to provide maximum vacuum pump protection at any temperature.

NOTE: AEON PD-XD (Part # 13-004) is the only oil that Sapphire Scientific puts in the vacuum pump at the factory. Adding petroleum oil to synthetic oil is **NOT** recommended.

Check the oil level **daily** on both sides to ensure they are at the proper level. Too little oil will damage and ruin the bearings and gears. Too much oil will result in overheating.

NOTE: Two drains are on your vacuum pump. Ensure that **BOTH** sides of the vacuum pump are filled to their proper level when servicing.

The shaft end capacity is approximately 1.25 pints. The gear end capacity is approximately 2.0 pints.



A lubrication cup has been provided at the front of the console, to prevent rust from building up inside of the vacuum pump.

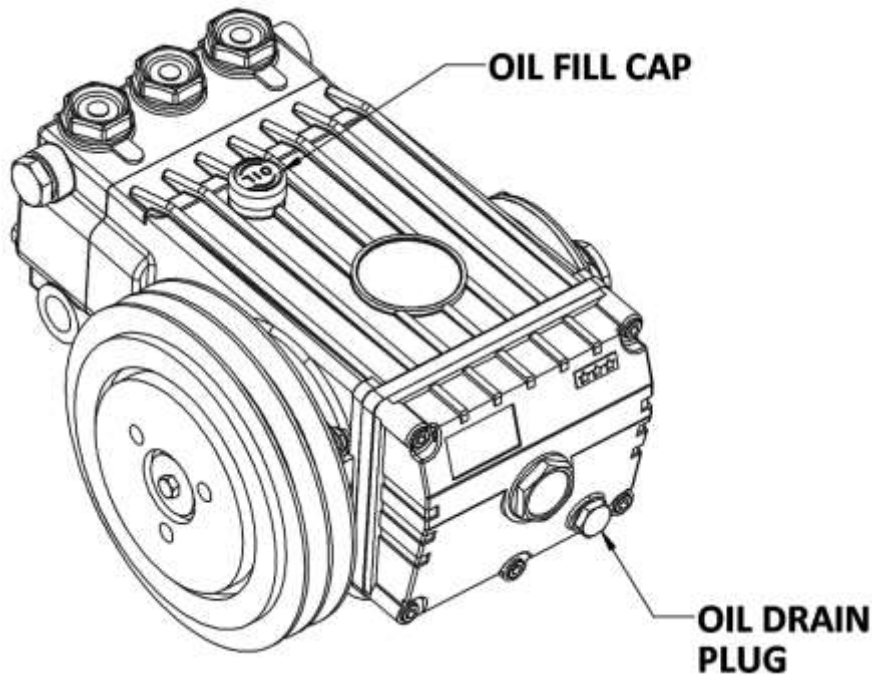
Plug the vacuum ports and spray a water displacement/lubricant into the vacuum lubrication cup for 10 seconds. This procedure should be done at the end of **every working day**.

Drain, flush and replace the oil every 1000 **hours or yearly, whichever comes first**.

WATER PUMP

Check the crankcase oil level **daily** to ensure the proper level. If the level has dropped, check for the source of leakage and repair.

After the first **50 hours** of operation, change the crankcase oil with General Water Pump Oil, (Part # 13-030). Change the crankcase oil every **500 hours** thereafter. Oil capacity is 40.6 oz.



VACUUM INLET FILTER

The vacuum inlet filter in the waste tank should be inspected and cleaned **daily**.

CAUTION

When removing the vacuum inlet filter, grip the plastic hexagon section of the filter. Grasping filter by the screen will damage or destroy the filter. Applying grease to the threads will allow easier removal of filter when cleaning or replacement is required.

DRIVE BELTS, PULLEYS AND HUBS

Check pulley set screws and hub screws after the first **25 hours** of operation and again at **100 hours**. Re-torque these screws with a torque wrench. Follow the torque values on the following table. Check pulley set screws and hub screws every **500 hours** thereafter.

NOTE: Ensure belts are properly tensioned after checking the torque values. Use Gates EPDM belts.



Ensure that when you re-torque the screws, you use a clockwise pattern and continue until the proper torque is achieved.

TORQUE VALUES		
Component	Inch/lbs	Foot/lbs
Vacuum Pump Hub #38-032	180	15

PRE-FILTER BOX AND WASTE TANK STRAINER BASKETS

Any strainer baskets used in the system should be emptied and cleaned on a **daily** basis.

CHECK VALVE STRAINER (SOLUTION MANIFOLD)

Unscrew the screen and inspect the strainer after the first **week** of operation. Remove any debris present. Inspect again after **2** and **4 weeks**.

Thereafter, inspect the strainer and screen at least **monthly**. If a frequent build-up of debris is noticed, inspect and clean more frequently.

CHEMICAL METERING SYSTEM

Check and inspect the chemical selector and metering valves every **200 hours**. This will prevent leaks and add to the overall life of the valves.

VACUUM HOSES

To ensure maximum hose life, Sapphire Scientific recommends that you wash out the hoses with fresh water **daily**.

HIGH PRESSURE SOLUTION HOSES

Inspect your high-pressure solution hoses for wear after the first **100 hours**. Thereafter, inspect every **25 hours**. If the hoses show any signs of damage or impending rupture, replace the hoses.



NEVER attempt to repair high-pressure solution hoses. Repairing high-pressure solution hoses may result in severe burns and serious injury.

All high-pressure solution hoses must be rated for 3000 PSI at 250 deg. F. Thermoplastic hoses do not meet this requirement and should not be used. Severe burns and injury may result if the hoses do not meet these requirements.

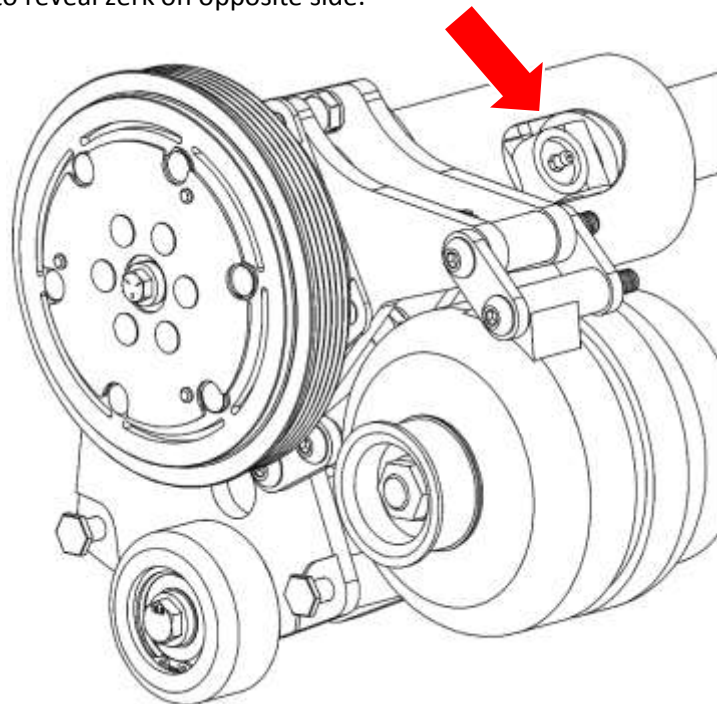
DRIVE SHAFT MAINTENANCE

Apply lubricating grease to your Pro-1200 SE drive shaft zerk fittings at both ends of the shaft **every 250 hours**.

Use only Mystik® JT-6® Hi-Temp Grease No. 2. Mystik® JT-6® is a high-temperature lithium-complex grease rated to 550° F. Do not mix with other lubricants. A tube of Mystik® JT-6® No. 2 is included with your Pro-1200 SE.

GREASE THE CLUTCH-SIDE ZERK FITTINGS (2):

1. Remove the shaft guard and clipboard holder.
2. Rotate shaft until zerk fitting is visible in the clutch side guard window (as shown).
3. Grease each u-joint fitting until the new grease begins to purge from all four cross bearing seals.
4. Rotate shaft to reveal zerk on opposite side.

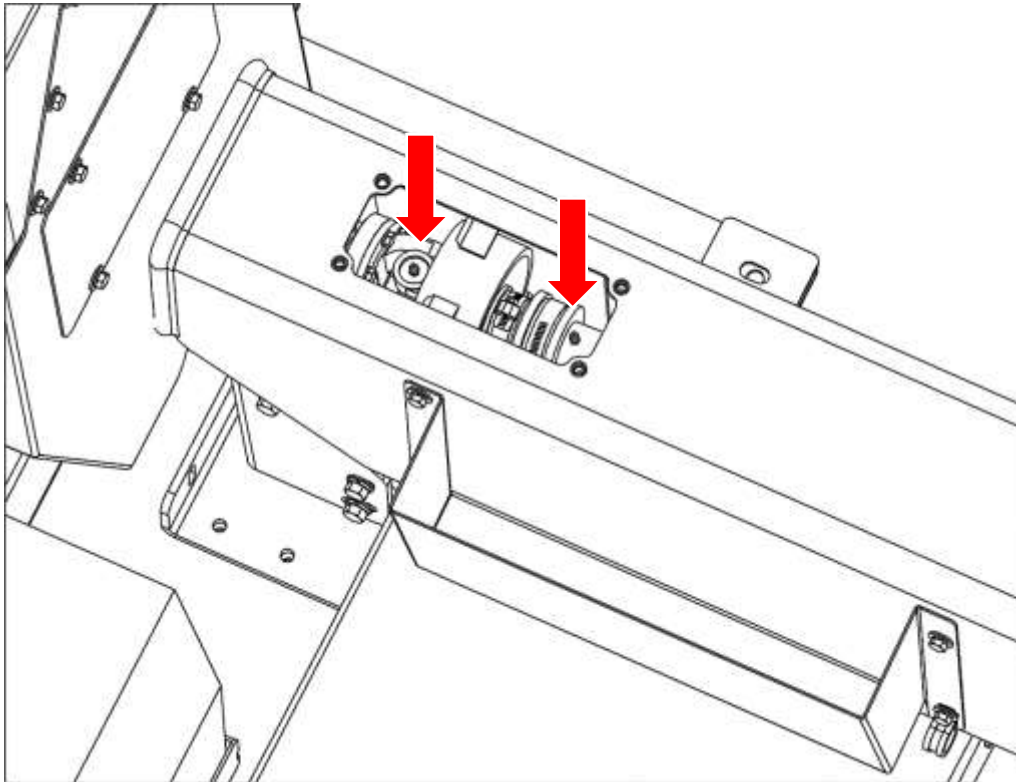


For easier application of grease under the hood without having to remove parts, a right-angle low-profile coupler like the one shown below is included with your Pro-1200 SE.



GREASE THE REAR SIDE ZERK FITTINGS (3):

1. Remove the grease port access cover from the shaft guard located between the front seats of the vehicle.
2. Locate the three (3) zerk fittings (2 on the u-joint and 1 on the slip yoke).
3. Apply grease at the u-joint fittings until the new grease begins to purge from all four cross bearing seals.
4. Apply the grease gun to the slip yoke fitting until the new grease appears at the pressure relief hole.
5. Cover the pressure relief hole and continue to apply grease until new grease appears at the slip yoke seal.



NOTE: The drive shaft splines should also be lubricated with the same grease as the zerk fittings.

GENERAL SERVICE ADJUSTMENTS



DO NOT attempt to service this unit while it is running. High speed parts as well as high temperature components may result in severe injury, severed limbs, or fatality.

VACUUM RELIEF VALVE

With the unit running at high speed, block off the airflow at the vacuum inlet port and read the vacuum gauge. If adjustment is required, shut the unit down and adjust the locking nut tension on the vacuum relief valve. Re-start the unit and read the vacuum gauge. Repeat this process until the vacuum relief valve opens at 13" Hg. Always ensure the lock nut is retightened and the cotter pin is replaced.



To reduce the risk of injury: NEVER obstruct the vacuum port with your hand or other body part. Keep hair, loose clothing and all body parts away from vacuum port openings while unit is in operation.

VACUUM PUMP DRIVE BELTS

To tighten the vacuum pump belt:

1. Remove the panel on the front face of the lower belt guard.
2. Adjust the position of the belt tensioning adjusting bolt until the proper belt tension is achieved (1/2" deflection in the center of the belts, half way between the pulleys).
3. To check the alignment of the belts, the entire lower belt guard must be removed.

WATER PUMP DRIVE BELTS

To tighten the water pump belts:

1. Loosen the four bolts, which hold the water pump base to the frame.
2. Adjust the position of the belt tensioning adjusting bolt until the proper belt tension is achieved (1/2" deflection in the center of the belts, half way between the pulleys).
3. While checking the alignment, tighten the nuts that hold the water pump to the base.

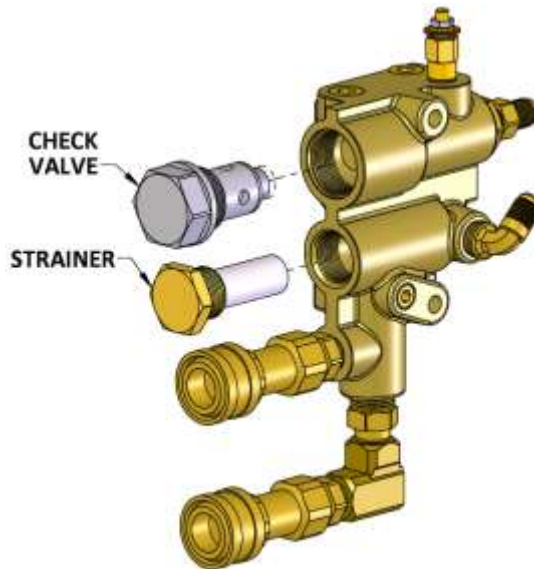


Over tightening of belts may cause damage to pump casing, causing it to fail.

SOLUTION MANIFOLD CHECK VALVE AND STRAINER

Inspect the check valve and solution manifold strainer whenever performing service on the chemical pump or if flow problems are occurring in the chemical system.

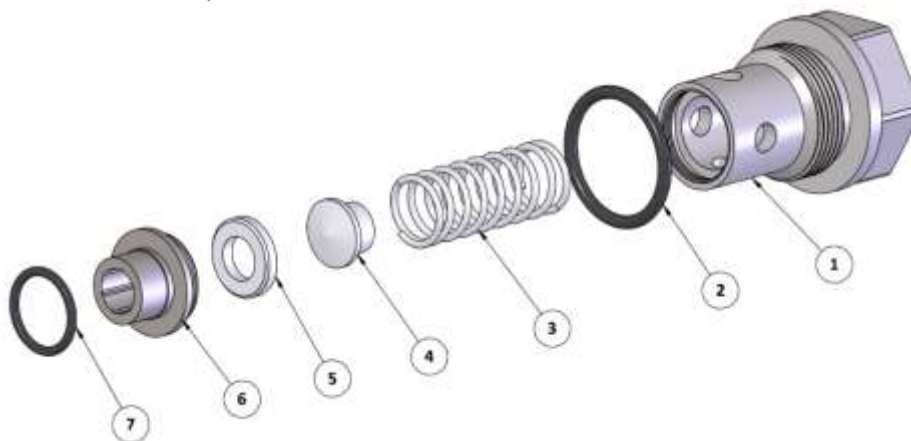
1. Shut down Unit.
2. Remove and clean strainer mesh.
3. Remove the check valve, ensuring that the small o-ring on the seat comes out with it.
4. Next, remove the seat using a 5/16 in. Allen wrench.
5. Check the seat for wear or debris. Clean and replace the seat if necessary.
6. Inspect the poppet and the spring for wear or damage. Clean and replace as necessary.



NOTE: New o-rings must be installed **anytime** the check valve is removed.

7. Re-assemble the check valve. Thread the seat by hand until snug. Then tighten with a 5/16 in Allen wrench. **DO NOT** over-tighten.
8. Lubricate the new o-rings with o-ring lubricant (Part # 13-003) and re-install.

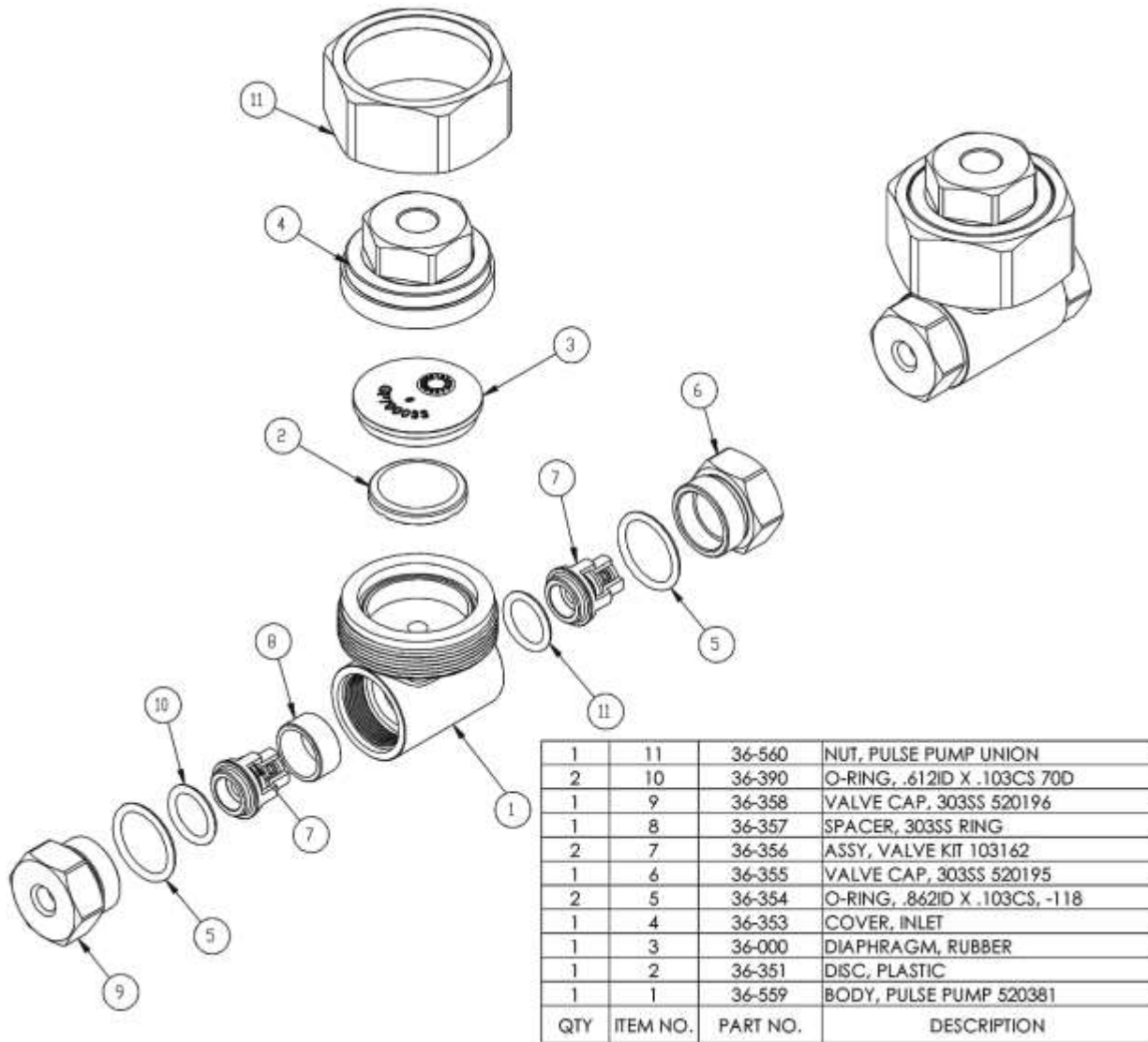
NOTE: Improper seating of the check valve seat, poppet, damaged spring or o-rings will result in poor performance of the chemical system.



23-063 ASSEMBLY, CHECK VALVE MANIFOLD

Item #	P/N	Qty.	Description
1	27-009	1	CAP, CHECK VALVE ASSY. SS
2	41-007	1	ORING, 7/8 ID X 1-1/16 OD
3	15-007	1	SPRING, CHECK VALVE ASSY.
4	27-010	1	POPPET, CHECK VALVE ASSY
5	27-004	1	INSERT, SEAT-CHK VLV ASSY TM
6	27-011	1	SEAT, CHECK VALVE ASSY.
7	41-008	1	ORING, ½ ID 5/8 OD

CHEMICAL PUMP



The chemical pump should be rebuilt every **500 hours**. This involves changing the diaphragm and plastic disc, check valves, and inspecting the disk. **DO NOT** attempt to reuse O-rings after the check valves have been removed. Replace all O-rings when servicing check valves.

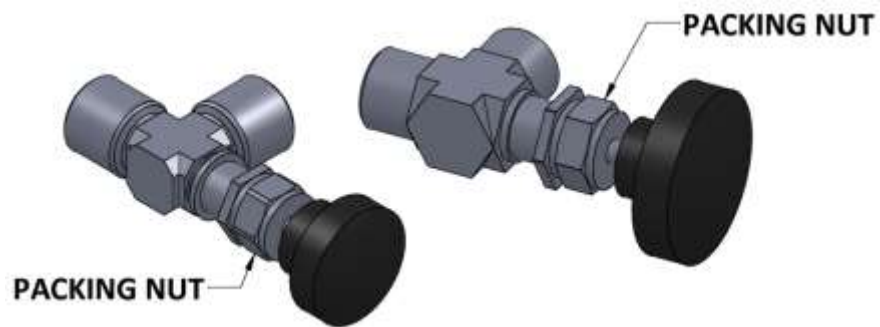
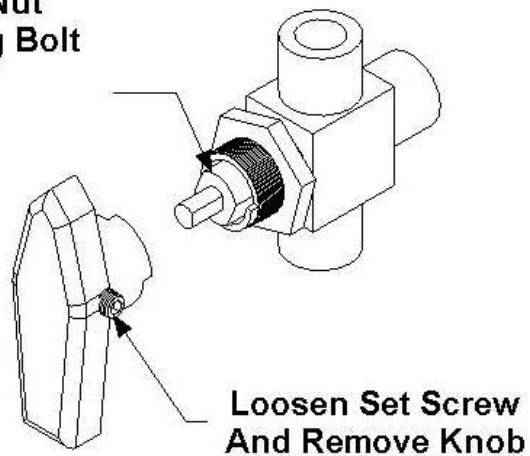
PACKING NUT ADJUSTMENT

Four items on the Pro-1200 SE have a packing nut.

1. The chemical selector.
2. The chemical metering valve.
3. The temperature control knob.
4. The hot water knob.

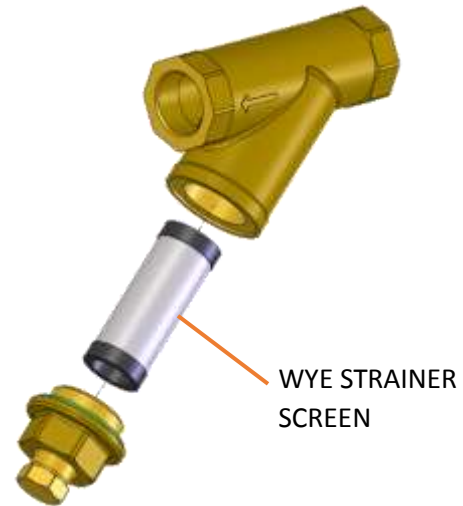
Inspect the packing nut for proper tension on the chemical metering and chemical selector valves every **200 hours**. When turning the knob, there should be some resistance. If not, slightly tighten the packing nut. **DO NOT** over tighten. Keeping the packing properly adjusted will eliminate possible leaks and will add to the overall life of the valves.

**Adjust The Packing Nut
By Turning The Packing Bolt
Clockwise In 1/16"
Increments.**

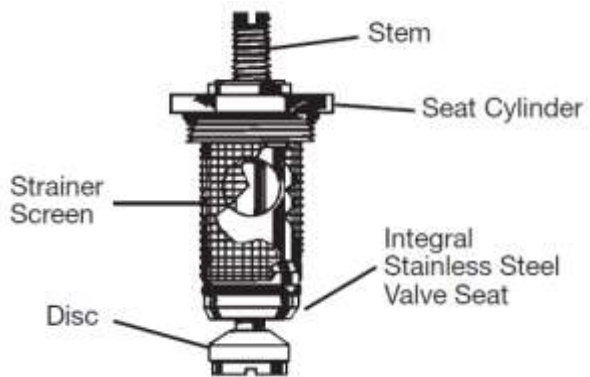
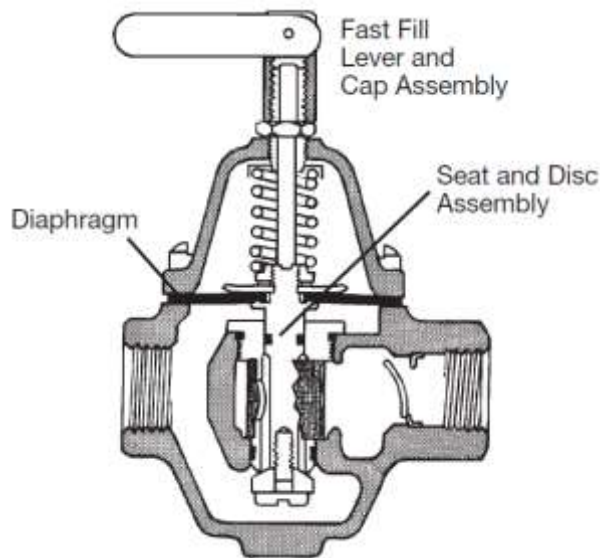


WYE STRAINER

Incoming water is filtered through two stainless steel mesh screens. The first screen is located in the wye strainer, located directly behind the water inlet. The wye strainer captures incoming debris and will restrict water flow when clogged. Inspect and clean at least once a month or as needed. Hard water deposits can build and reduce water flow.



INLET PRESSURE REGULATOR



The second stainless steel mesh screen is located inside the inlet pressure regulator. Inspect and clean at least once a month. Hard water deposits can build and reduce water flow.

The inlet pressure regulator comes pre-set at the factory.

PRESSURE REGULATING UNLOADER

The pressure regulating unloader holds water pressure at a preset point and bypasses the excess water.

To adjust:

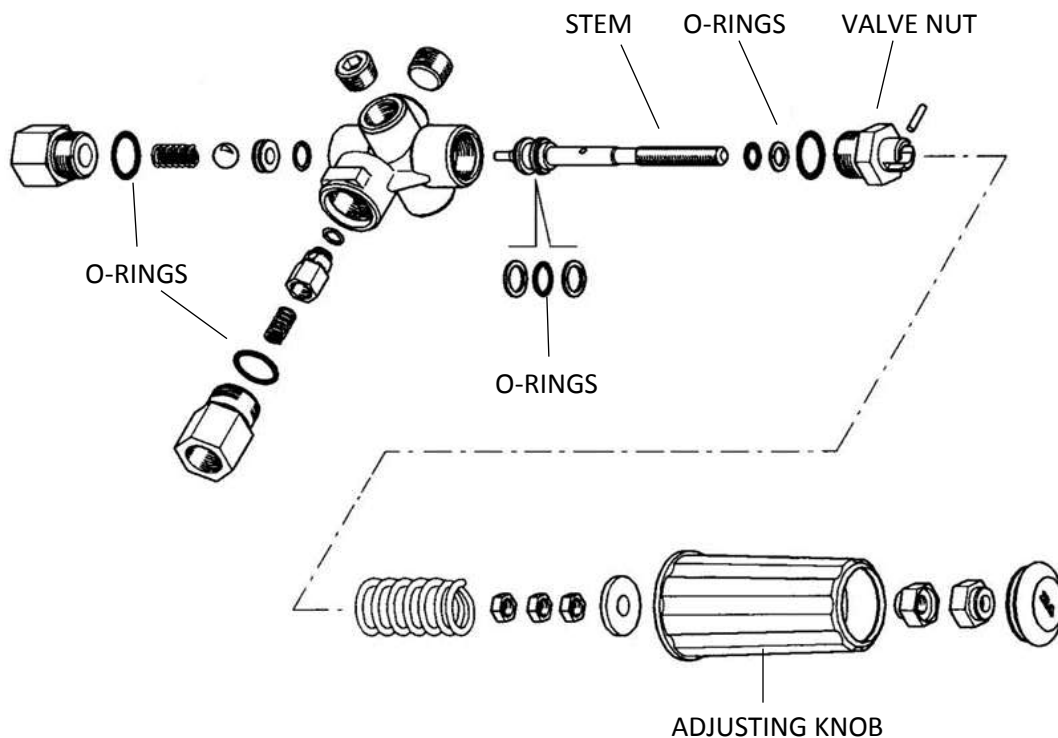
- With the unit running, with the cleaning tool valve closed, the pressure gauge should read 0.
- With the tool valve open, adjust the pressure by turning the adjusting knob so that the pressure gauge reads between 400 - 1200 PSI.

WARNING

DO NOT loosen the adjusting body (cap) all the way (counterclockwise) or remove it while the unit is running.

We recommend that you lubricate the unloader o-rings every **100 hours** or whenever required. If you do not, the stem may become seized due to inadequate lubrication. If this occurs:

1. Shutdown the unit.
2. Relieve all pressure from the water system.
3. Remove the adjusting cap from the unloader, loosen the valve nut and remove the stem with long nose pliers.
4. Clean and lubricate stem.
5. Reassemble the unloader.



TROUBLESHOOTING



DO NOT attempt to service this unit while it is running. High-speed parts as well as high temperature components may result in severe injury, severed limbs or fatality.

This section of the operator's manual describes how to look for and repair malfunctions, which may occur. Accurate troubleshooting is based on a thorough and complete understanding of the **WATER, CHEMICAL, VACCUM, HEAT TRANSFER, SAFETY** and **WIRING** systems featured in this unit.

If there are malfunctions occurring on this unit which you do not understand, refer back to the **OPERATION** section of this manual and review **SYSTEM**.

HEAT ISSUES/MISCELLANEOUS TROUBLESHOOTING**EXCESSIVE HEATING**

PROBABLE CAUSE	SOLUTION
Not enough water flow.	Check jet size of tool.
Engine speed too high for job/tool.	Reduce engine speed.
Temperature control valve closed.	Open temperature control valve to reduce temperature.
Flow restriction caused by hard water scaling.	Descale unit, repair or replace damaged plumbing components as necessary. Install water softener.

HEAT EXCHANGER LEAKS

PROBABLE CAUSE	SOLUTION
Coolant or Vacuum exhaust heat exchanger is damaged from frozen water or defective.	Inspect heat exchanger for leaks. Visually inspect for damage. Pressure check after removing from unit (maximum test pressure 1200 PSI). Replace if defective.

LOSS OF TEMPERATURE (HEAT OUTPUT IS LESS THAN NORMAL)

PROBABLE CAUSE	SOLUTION
No vacuum hose connected.	Connect vacuum hose to the vacuum inlet.
Engine RPM is low.	Adjust engine speed.
Vacuum relief is set too low.	With vacuum fully blocked and engine speed set to HIGH, adjust the vacuum relief to 12-13" Hg.
Heat control valve open.	Close valve.
Defective temperature gauge.	Test gauge and sensor. Replace failed component.

WASTE PUMP OUT IS MALFUNCTIONING

PROBABLE CAUSE	SOLUTION
Defective waste pump float switch.	Replace float switch.
Broken diaphragm(s) in pump.	Replace diaphragm(s).
Pump out circuit breaker on instrument panel has tripped.	After inspecting waste pump to determine the cause of the overloaded circuit, press reset button.
Check valve dirty or damaged.	Clean or replace as necessary.

VACUUM PUMP TROUBLESHOOTING**LOSS OF VACUUM** (while cleaning, engine RPM is normal but vacuum is lower than expected)

PROBABLE CAUSE	SOLUTION
Vacuum gauge is giving an improper reading.	Examine the tubing between the vacuum relief valve and the vacuum gauge and remove any blockage.
Vacuum hose(s) is damaged, causing a suction leak.	Inspect hose(s), repair or replace.
Waste tank gaskets not sealing properly, not positioned properly.	Inspect the gasket. Repair seal or replace Re-position lid(s).
Plugged vacuum hose or vacuum plumbing between vacuum inlet and strainer basket.	Unplug vacuum hose or inlet plumbing.
Waste tank filter or strainer basket is plugged.	Clean or replace filter. Clean strainer basket.
Loose vacuum pump drive belts.	Tighten the drive belts.
Waste tank drain valve is damaged or left open, causing a vacuum leak.	Drain the waste tank. Close drain valve, if open. Replace valve if defective.
Vacuum relief valve requires adjustment or has a vacuum leak due to damaged diaphragm.	Re-adjust the vacuum relief valve. If the vacuum does not increase, remove and inspect the relief valve diaphragm. If damaged, replace.
Vacuum exhaust heat exchanger plugged.	Remove and clean.
Vacuum pump is worn out.	Replace the vacuum pump.
Vacuum relief valve requires adjustment.	Readjust the vacuum relief valve. With vacuum fully blocked and speed set to high, set vacuum break to 13-14 in. Hg.

WATER PUMP (PRESSURE) TROUBLESHOOTING**LOSS OF PRESSURE** (with cleaning tool open, pressure gauge reads below normal operating pressure)

PROBABLE CAUSE	SOLUTION
Water supply is turned off .	Turn the water supply on or up. Check for kinks in the water supply hose.
Solution pump inlet supply line is plugged or drawing air.	Examine the water inlet pressure regulator strainer. Remove accumulated debris and replace if required. Check for suction leaks and loose clamps or fittings. Tighten any loose fittings or clamps. Replace any ruptured hose(s).
Improper engine speed.	Using a tachometer, check the engine speed.
Pressure unloader O-rings are dry.	Lubricate O-rings, using O-ring lubricant.
Pressure unloader has worn O-rings .	Check O-rings. If necessary, replace.
Pressure unloader is dirty, stuck open, or improperly adjusted.	Clean or repair regulator. Adjust to working pressure. Lubricate O-rings, using O-ring lubricant.
Low pump volume.	Examine the check valves, plunger cups, and cylinder head on the water pump. Repair, whenever required.
Defective water pressure gauge.	Replace gauge.
Orifice (spray nozzle) in the cleaning tool is worn, defective, or wrong size.	Replace Nozzle or change nozzle size.
Debris clogging water lines or water inlet disconnect, Y strainer.	Clean or replace as needed.
Belts loose or broken.	Re-tension or replace as needed.

LOSS OF SOLUTION VOLUME (at cleaning tool orifice, pressure gauge reads normal)

PROBABLE CAUSE	SOLUTION
Plugged screen in the cleaning tool.	Unplug or replace screen
Internal block between the pressure regulator manifold and the outlet manifold, or the solution screen is clogged.	Inspect all lines, remove accumulated debris which is blocking proper flow. Replace any defective hoses. Remove, inspect, and clean the solution screen. De-scale unit and install a water softener, if necessary.
Outlet check valve is plugged.	Examine the check valve, remove any debris.
Defective quick-connect on one or more of the high pressure hoses.	Replace defective quick-connects(s) on high pressure hoses(s).
Cleaning tool valve is malfunctioning.	Repair or replace valve.
Hose inner lining is constricted.	Remove restriction or replace hose.
Air leak in chemical supply line, priming valve or metering valve.	Check for air leaks. Replace faulty parts.

CHEMICAL SYSTEM TROUBLESHOOTING**CHEMICAL FLOW METER INDICATES FLOW WITH THE TOOL VALVE CLOSED**

PROBABLE CAUSE	SOLUTION
External leak in chemical piping.	Tighten fittings. Re-apply thread sealant where required. If any fittings are damaged, replace.
Outlet check valve is full of debris or damaged, not allowing it to close properly.	Close the chemical valve on the instrument panel. If the flow meter does not indicate flow, remove debris or replace check valve, if necessary.

CHEMICAL FLOW METER INDICATES FLOW WITH THE TOOL VALVE OPEN

PROBABLE CAUSE	SOLUTION
Chemical pump diaphragm is ruptured.	Close the chemical valve on the instrument panel. If the flow meter still indicates flow, replace the chemical pump diaphragm and plastic disc.
Internal leak in chemical valve causing continual flow through prime tube returning to container.	Tighten valve packing nut (see “General Service Adjustments” section in this manual). Replace valve, if necessary.

SOLUTION PUMP DOES NOT ENGAGE

PROBABLE CAUSE	SOLUTION
Solution pump has not been activated.	Turn solution pump switch to on.
Solution pump circuit breaker has been tripped.	Check the solution pump circuit breaker on the control panel. Press the circuit breaker reset button.
Defective electrical connection in the console wiring or defective switch.	Examine switch, electrical connections, and wiring. Repair any defective connections. If there is power going to the switch but not going out, replace the defective switch.
Defective solution pump clutch.	If there is power in the switch, but not power at the clutch, replace the defective wire. If there is power at the clutch, replace the defective switch.
Loose or broken solution pump belts.	Tighten or replace belts.

LOSS OF CHEMICAL WITH TOOL VALVE CLOSED

PROBABLE CAUSE	SOLUTION
Chemical pump is improperly primed.	Refer to chemical pump priming instructions.
The strainer at the inlet end of the chemical inlet line is clogged.	Unclog the strainer. If damaged, replace.
Chemical pump check valve(s) is clogged.	Remove any debris from the chemical check valve(s). Replace chemical check valve(s) or seals, if necessary.
Chemical prime/on-off valve or chemical metering valve is defective.	Replace valve(s).
Chemical pump diaphragm is ruptured.	Disassemble the chemical pump and replace the damaged diaphragm and plastic disc.
Defective cylinder in the water pump.	Measure the pump volume. If the pump volume is less than normal, refer to “Loss of Pump Volume” in the Troubleshooting section in this manual.

SECTION THREE – SERVICE AND MAINTENANCE

CHEMICAL FLOW LOWER THAN 6 GPH

PROBABLE CAUSE	SOLUTION
Inlet water pressure too high.	Adjust inlet pressure regulator.

SECTION FOUR: PARTS AND ACCESSORIES

ILLUSTRATED PARTS LISTING

ASSEMBLED CONSOLE KIT.....	52
SUBMOUNT WASTE TANK	54
90 DEGREE THRU-STEP EXHAUST	55
VACUUM HOSE PORT.....	56
BELT TENSIONER	57
LOWER BELT GUARD.....	58
CONSOLE ASSEMBLY	59
FRAME AND ENCLOSURES	62
INSTRUMENT PANEL.....	64
VACUUM PUMP	66
COOLANT HEAT EXCHANGER.....	67
COOLANT HEAT EXCHANGER MOUNT.....	69
VACUUM EXHAUST HEAT EXCHANGER.....	70
WATER PUMP.....	71
SOLUTION MANIFOLD.....	73
PRESSURE REGULATOR	74
WATER INLET / VACUUM LUBE CUP	75
HOT WATER VALVE	76
PRE-FILTER BOX.....	77
CHEMICAL JUG	78
FRONT END KIT	79
CLUTCH SHAFT HOUSING MOUNT.....	80
CLUTCH SHAFT BEARING HOUSING	81
PULLEY SHAFT HOUSING.....	82
PULLEY SHAFT BEARING HOUSING	83
7-INCH OGURA CLUTCH	84
CENTER CONSOLE	85
MISCELLANEOUS COMPONENTS	86
INSTALL KIT.....	88
CUSTOMER STARTER KIT.....	90
DECALS	91

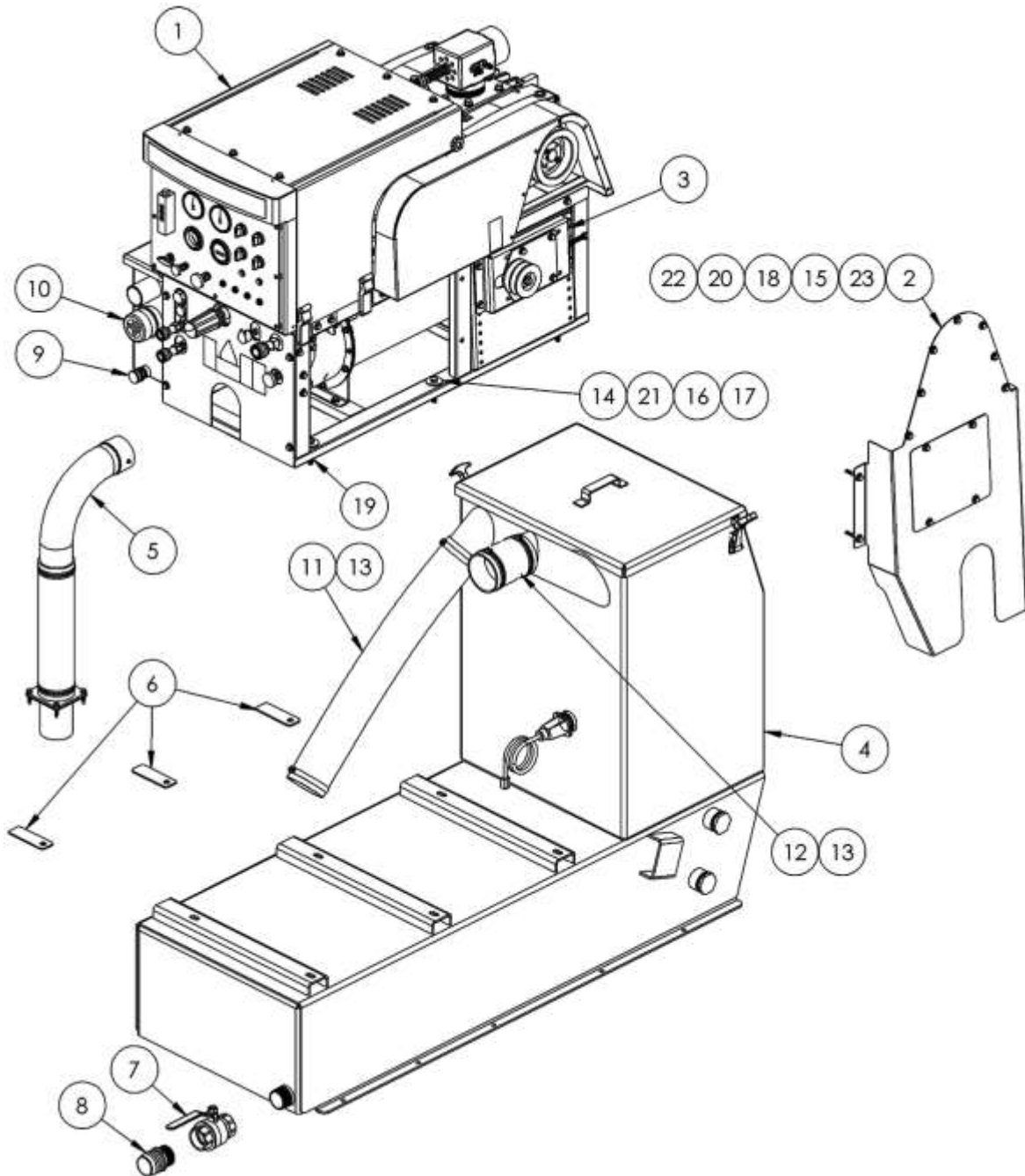
WATER FLOW

WATER FLOW DIAGRAM.....	92
-------------------------	----

ELECTRICAL

WIRING DIAGRAM.....	93
---------------------	----

71-1200SM15, KIT, CONSOLE PRO-1200 SE



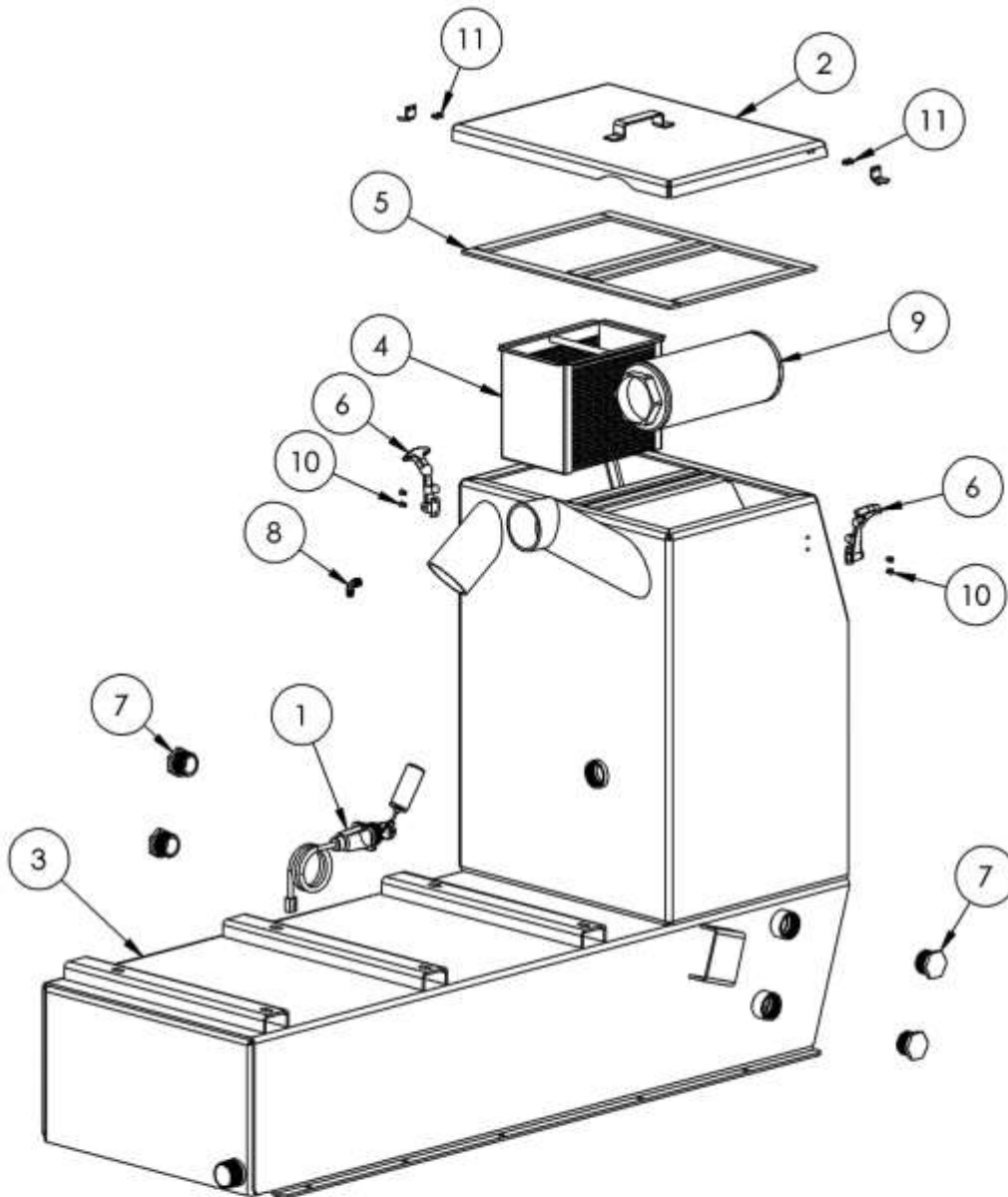
SECTION FOUR – PARTS AND ACCESSORIES

71-1200SM15, KIT, CONSOLE PRO-1200 SE (BOM)

7	23	10-006	SCREW, MACH 1/4-20 X 1/2 HEXHD
2	22	10-028	SCREW, MACH 1/4-20 X 2-3/4 HXHD
6	21	10-096	BOLT, 3/8-16 X 2-1/4 HHCS SS
2	20	10-170	SCREW, MACH, 1/4-20 X 1-3/4 HH G5
3	19	11-019	NUT,3/8-16 NYLOK
11	18	12-012	WASHER, FLAT 1/4 USS
3	17	12-013	WASHER, FLAT 3/8 USS
3	16	12-014	LKWSR, 3/8 ZINC
11	15	12-015	LKWSR, 1/4 ZINC
6	14	12-112	WASHER, FENDER 3/8 X 1.50 ZP
4	13	14-050	CLAMP, HOSE 4 1/2 TO 2 1/2 HD SS
1	12	16-014-01	HOSE, INT VAC 3-1/2 X 5 IN
1	11	16-014-02	HOSE, INT VAC 3-1/2 X 27 IN
1	10	19-013	CAP, 2-1/2 IN RUBBER
1	9	21-071	CAP, GARDEN HOSE 3/4 BRASS
1	8	21-094	FTTG, 1-1/2 P X 2H DRAIN
1	7	23-050	VLV, 1-1/2 IN BRASS BALL
3	6	61-1188	WELDMENT, MOUNTING NUT PLATE
1	5	68-371	KIT, 90 DEG 3 IN THRU STEP EXHAUST
1	4	69-648	ASSY, SUBMOUNT WASTE TANK
1	3	69-757	ASSY, BELT TENSIONER
1	2	69-795	ASSY, LOWER BELT GUARD
1	1	70-1200SM15	CONSOLE, SAPPHIRE 1200SM15
QTY	ITEM	PART NO.	DESCRIPTION

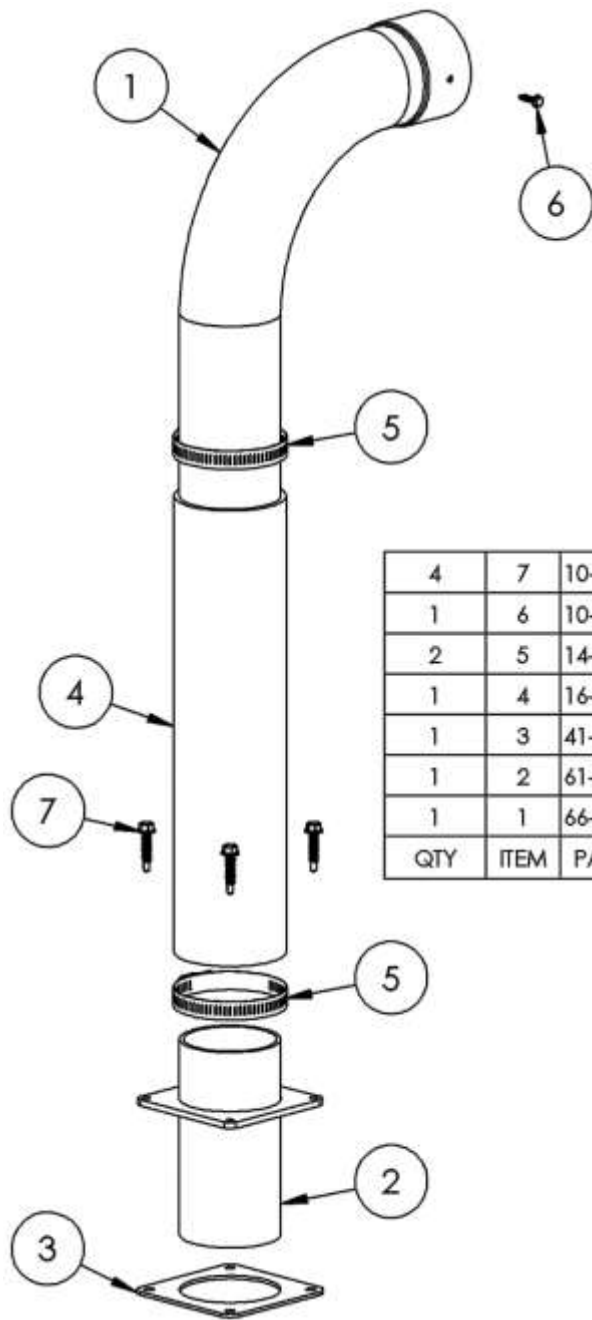
SECTION FOUR – PARTS AND ACCESSORIES

69-648, ASSY, SUBMOUNT WASTE TANK



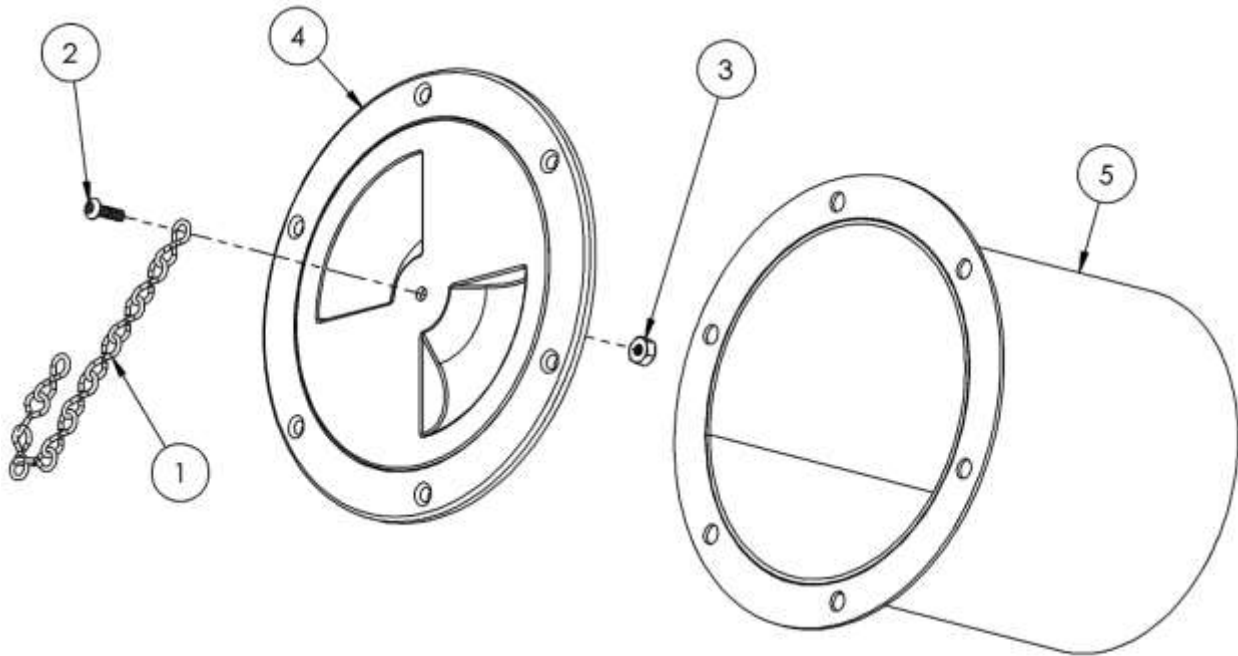
4	11	14-018	RIVET, SS 3/16 LONG
4	10	14-031	RIVET, SS 3/16 X 1/2 SHORT
1	9	20-021	STRAINER, FILTER 3" 100 MESH
1	8	21-064	ELL, 1/4 P X 1/4 T BRASS
4	7	21-097	PLUG, 1-1/4 IN PVC
2	6	40-003	LATCH, PRE-FILTER BOX
92.5 IN	5	41-018	GASKET, SPONGE 1 IN X 45 FT
1	4	61-002	WELDMENT, STRAINER BASKET
1	3	61-1128	WELDMENT, SUBMOUNT WASTE TANK
1	2	61-1176	WELDMENT, SUBMOUNT TANK LID
1	1	69-000	FLOAT SWITCH
QTY	ITEM	PART NO.	DESCRIPTION

68-371, KIT, 90 DEG THRU-STEP EXHAUST



4	7	10-205	SCREW, SELF DRILL 1/4-14 X 1-1/4 HXHD
1	6	10-231	SCREW, 8-18 X 3/4 SELF TAP HXHD ZP
2	5	14-024	CLAMP, HOSE #48 SS
1	4	16-108	HOSE, 3.0 IN ID X 3FT SILICONE 550F
1	3	41-037	GASKET, HIGH TEMP SILENCER EXHST
1	2	61-1235	WELDMENT, EXHAUST DUCT
1	1	66-518	TUBE, EXHAUST 3.0 OD 90 DEG
QTY	ITEM	PART NO.	DESCRIPTION

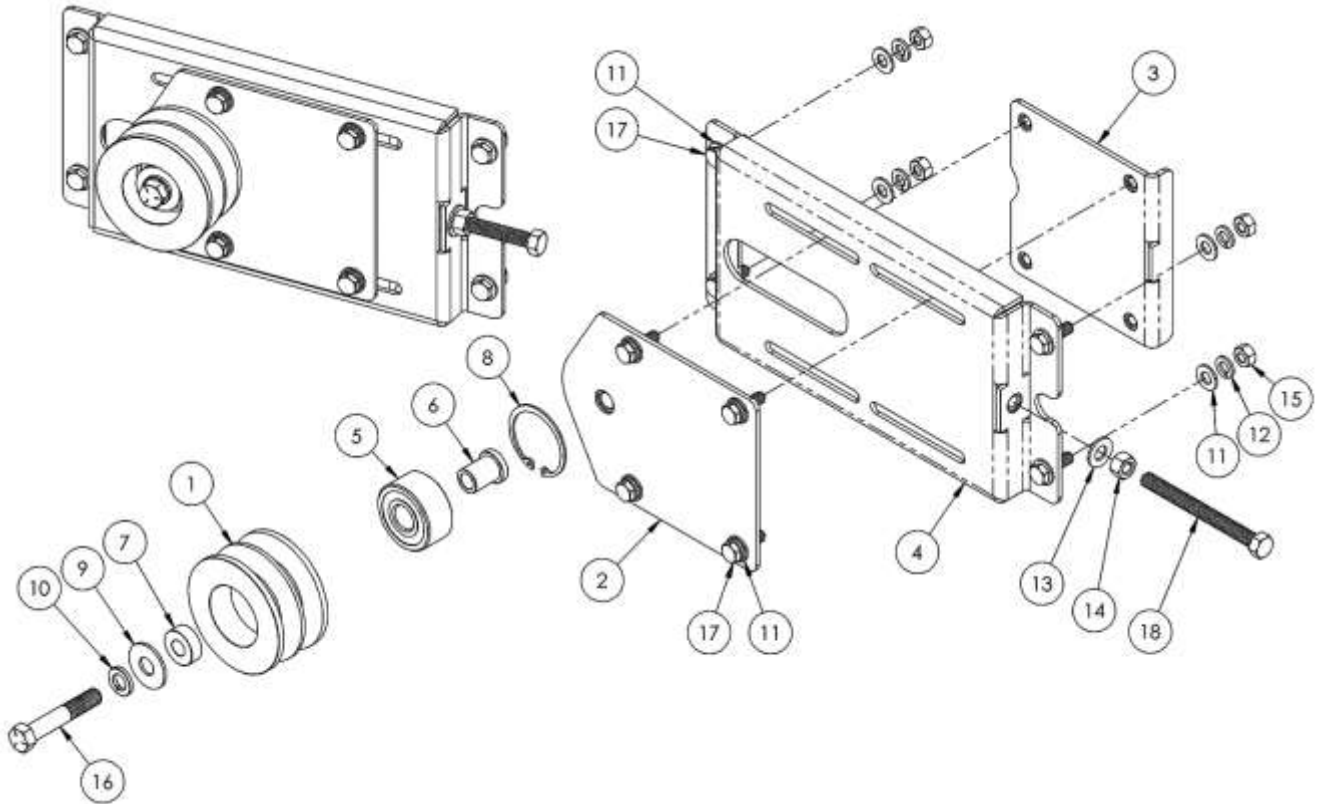
69-733, ASSEMBLY, VACUUM HOSE PORT



1	5	61-1316	WELDMENT, HOSE PORT
1	4	21-539	DECK PLATE, 4 IN BLK SCREW-IN
1	3	11-021	NUT, 6-32 NYLOK
1	2	10-113	SCREW, MACH 6-32 X 1/2 BHSCS SS
6.50 IN	1	50-024	CHAIN, JACK #16 ZPS
QTY	ITEM	PART NO.	DESCRIPTION

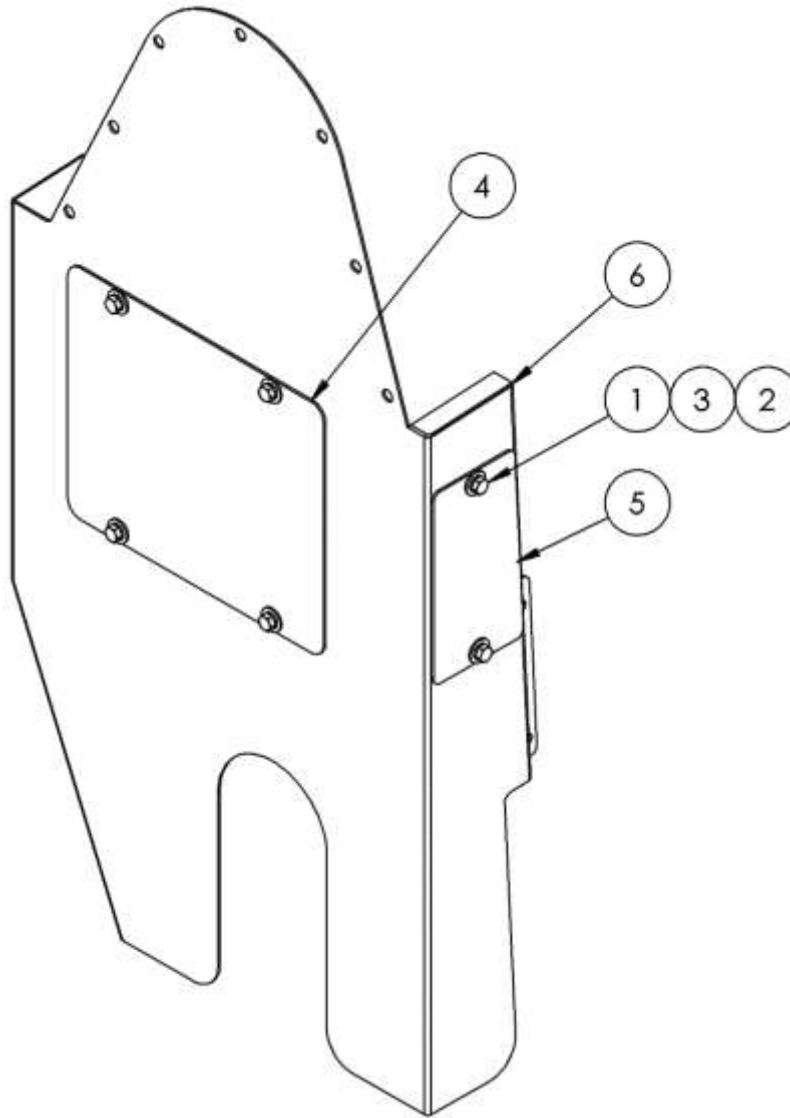
SECTION FOUR – PARTS AND ACCESSORIES

69-757, ASSEMBLY, BELT TENSIONER



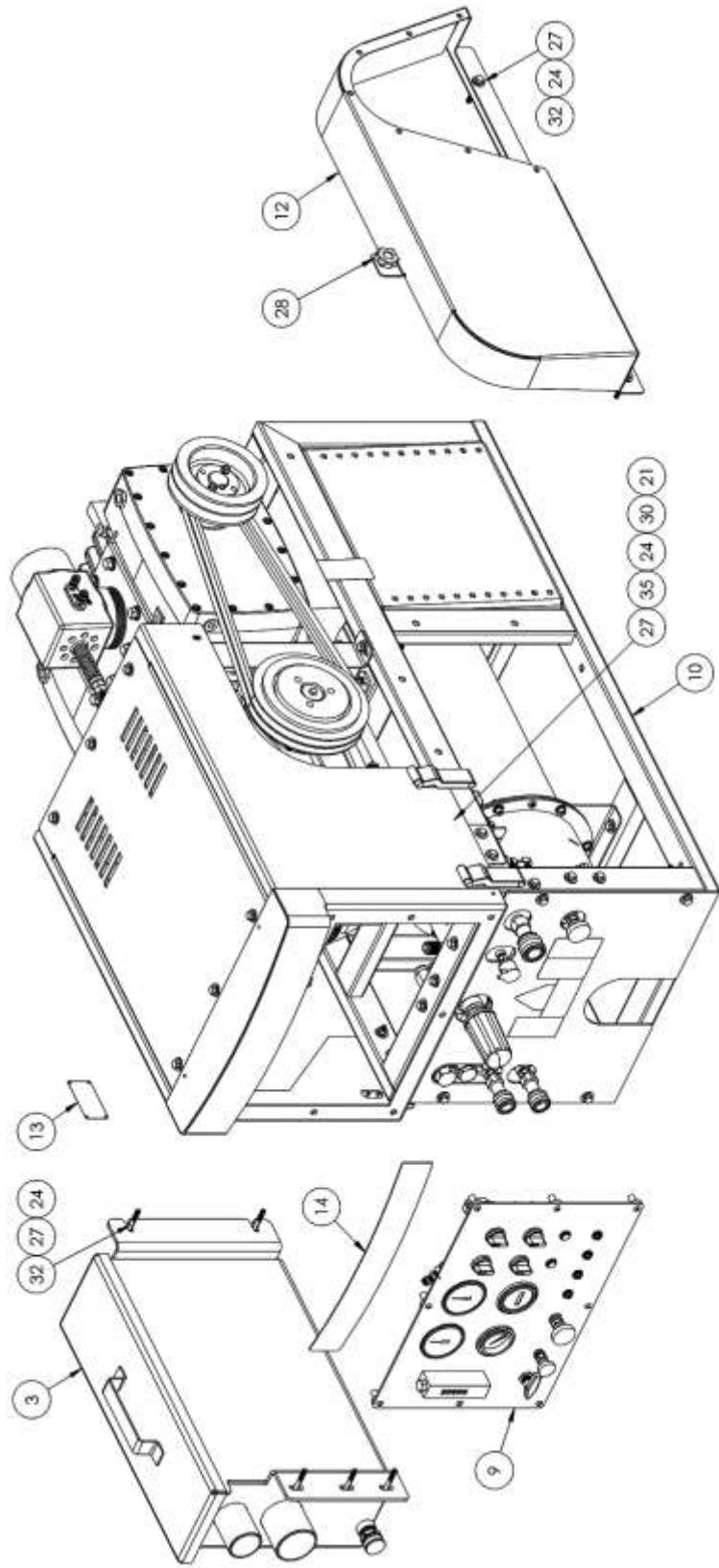
1	18	10-010	BOLT, TAP 3/8-16 X 4 GR 5
8	17	10-106	BOLT, 5/16-18 X 1 HHCS Z5
1	16	10-355	SCREW, MACH 7/16-14 X 2.50 HXHD ZP
4	15	11-005	NUT, 5/16-18 ZINC
1	14	11-006	NUT, 3/8-16 ZINC
1	13	12-013	WASHER, FLAT 3/8 USS
8	12	12-016	LKWSR, 5/16 ZINC
12	11	12-017	WASHER, FLAT 5/16 SAE ZINC
1	10	12-020	LKWSR, 7/16 ZINC
1	9	12-021	WASHER, FLAT, 7/16 ZINC
1	8	15-022	SNAP RING, 1-7/8 INTERNAL
1	7	38-088	SPACER, IDLER PULLEY
1	6	39-054	BEARING, 7-16 DOUBLE BUSHING
1	5	39-105	BEARING, IDLER PULLEY 5303-2RS
1	4	61-1274	WELDMENT, TENSIONER BASE
1	3	61-1276	WELDMENT, IDLER SLIDE MOUNT
1	2	61-1337	WELDMENT, IDLER PULLEY SLIDE
1	1	66-584	PULLEY, DBL GRV IDLER 3.22 OD
QTY	ITEM	PART NO.	DESCRIPTION

69-795, ASSEMBLY, LOWER BELT GUARD

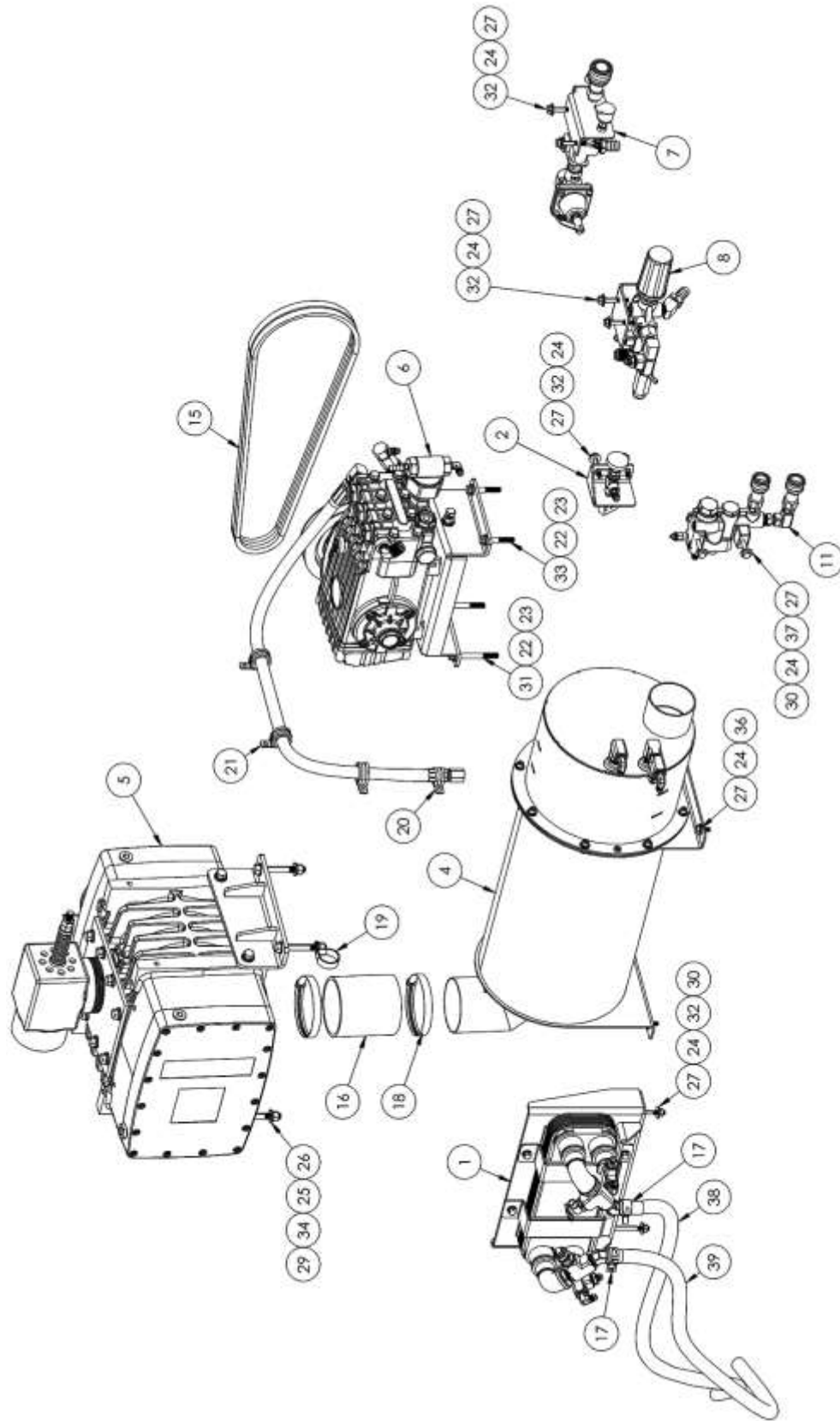


1	6	61-1187	WELDMENT, LOWER BELT GUARD
1	5	58-878	COVER, LOWER BELT GUARD SIDE
1	4	58-877	COVER, LOWER BELT GUARD FRONT
6	3	12-015	LKWSR, 1/4 ZINC
6	2	12-012	WASHER, FLAT 1/4 USS
6	1	10-006	SCREW, MACH 1/4-20 X 1/2 HEXHD
QTY	ITEM	PART NO.	DESCRIPTION

70-1200SM15, ASSEMBLY, CONSOLE DETAIL 1



70-1200SM15, ASSEMBLY, CONSOLE DETAIL 2

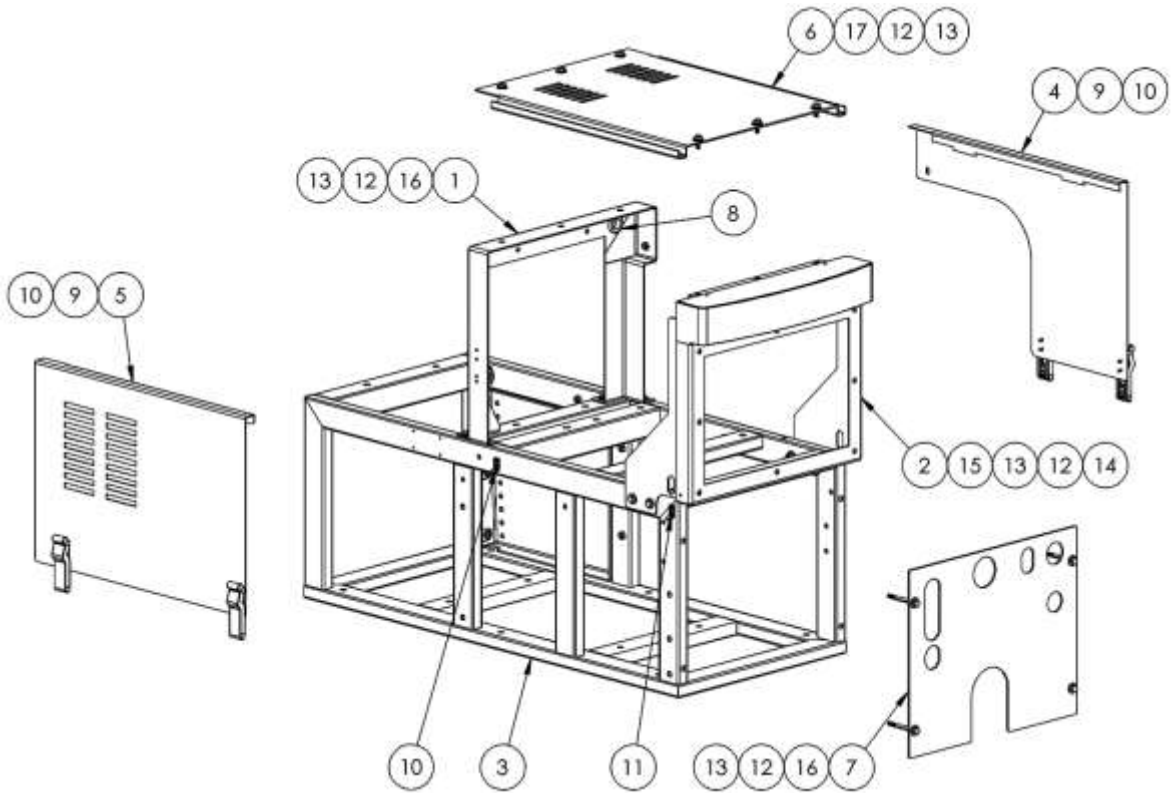


SECTION FOUR – PARTS AND ACCESSORIES

70-1200SM15, ASSEMBLY, CONSOLE - BOM TABLE

1	39	16-135	HOSE, WTR 5/8 IN HZN500 FT BULK RED
1	38	16-005	HOSE, WTR 5/8 IN HZN500 FT BULK
2	37	10-003	BOLT, 1/4-20 X 3 1/2 HH ZP
8	36	10-025	SCREW, MACH 1/4-20 X 3/4 HXHD GRD5
2	35	10-028	SCREW, MACH 1/4-20 X 2-3/4 HXHD
4	34	10-030	SCREW, MACH 3/8-16 X 3 HXHD
2	33	10-037	SCREW, MACH 5/16-18 X 2 HXHD
17	32	10-170	SCREW, MACH, 1/4-20 X 1-3/4 HH G5
2	31	10-174	SCREW, MACH 5/16-18 X 3 HXHD
9	30	11-004	NUT, 1/4-20 ZINC
4	29	11-006	NUT, 3/8-16 ZINC
1	28	11-007	NUT, THUMB 1/4-20 FLWR. HEAD KNOB
38	27	12-012	WASHER, FLAT 1/4 USS
8	26	12-013	WASHER, FLAT 3/8 USS
4	25	12-014	LKWSR, 3/8 ZINC
29	24	12-015	LKWSR, 1/4 ZINC
4	23	12-016	LKWSR, 5/16 ZINC
4	22	12-017	WASHER, FLAT 5/16 SAE ZINC
4	21	14-003	CLAMP,WIRE CUSHION 1.00 ID X 1/4 BOLT
1	20	14-004	CLAMP,WIRE CUSHION 3/4 ID X 1/4 BOLT
1	19	14-022	CLAMP, 1-1/4 ID VINYL COVERED
2	18	14-084	CLAMP, HOSE 4 TO 3 HD SS
2	17	14-118	CLAMP, CONST TENSION SPRING 15/16 IN
1	16	16-121	HOSE, 3.5 IN ID X 3FT SILICONE
2	15	37-102	BELT, AX47 GATES EPDM
1	14	44-250	DECAL, PRODUCT PRO-1200 SE
1	13	44-252	PLATE, SERIAL PRO-1200 SE
1	12	61-1172	WELDMENT, PUMP BELT GUARD
1	11	69-352	ASSEMBLY, MANIFOLD BLOCK
1	10	69-646	ASSY, FRAME & ENCLOSURES
1	9	69-647	ASSY, INSTRUMENT PANEL
1	8	69-675	ASSY, PRESSURE REGULATOR
1	7	69-678	ASSY, QD & LUBE BRACKET
1	6	69-679	ASSY, GENERAL WATER PUMP
1	5	69-680	ASSY, VACUUM PUMP
1	4	69-682	ASSY, THERMAL WELL
1	3	69-714	ASSY, PREFILTER BOX 1200
1	2	69-721	ASSY, HOT WATER VALVE
1	1	69-860	ASSY, PLT HEAT EXCH ENG COOL
QTY	ITEM	PART NO.	DESCRIPTION

69-646, ASSEMBLY, FRAME AND ENCLOSURES

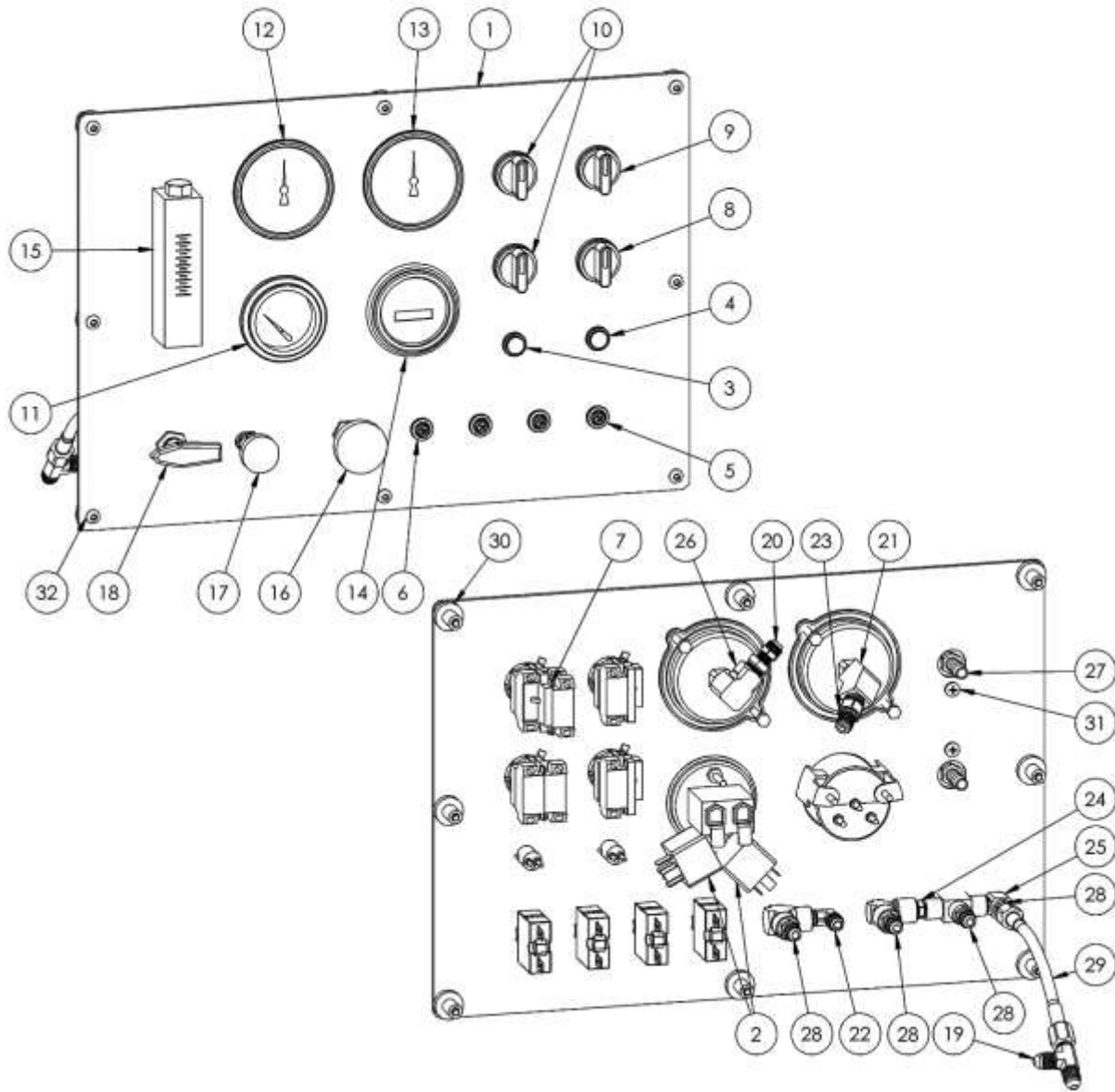


SECTION FOUR – PARTS AND ACCESSORIES

69-646, ASSEMBLY, FRAME AND ENCLOSURES - BOM TABLE

6	17	10-025	SCREW, MACH 1/4-20 X 3/4 HXHD GRD5
7	16	10-028	SCREW, MACH 1/4-20 X 2-3/4 HXHD
4	15	10-170	SCREW, MACH, 1/4-20 X 1-3/4 HH G5
4	14	11-004	NUT, 1/4-20 ZINC
21	13	12-012	WASHER, FLAT 1/4 USS
17	12	12-015	LKWSR, 1/4 ZINC
6	11	14-085	RIVET, 5/32 X .312 HD .251-.375 GRIP SS
10	10	14-086	RIVET, 5/32 X .312 HD .062-.125 GRIP SS
4	9	40-034	LATCH, DRAW SS CONCEALED MOUNT
1	8	41-071	GROMMET, 1-3/8" OD X 3/4" ID X 1/8" PANEL
1	7	58-745	PANEL, LOWER FRONT
1	6	58-780	PANEL, TOP
1	5	58-781	PANEL, LS
1	4	58-782	PANEL, RS
1	3	61-1126	WELDMENT, FRAME
1	2	61-1127	WELDMENT, STEPPED FRONT BEZEL
1	1	61-1171	WELDMENT, REAR BRACE
QTY	ITEM	PART NO.	DESCRIPTION

69-647, ASSEMBLY, INSTRUMENT PANEL

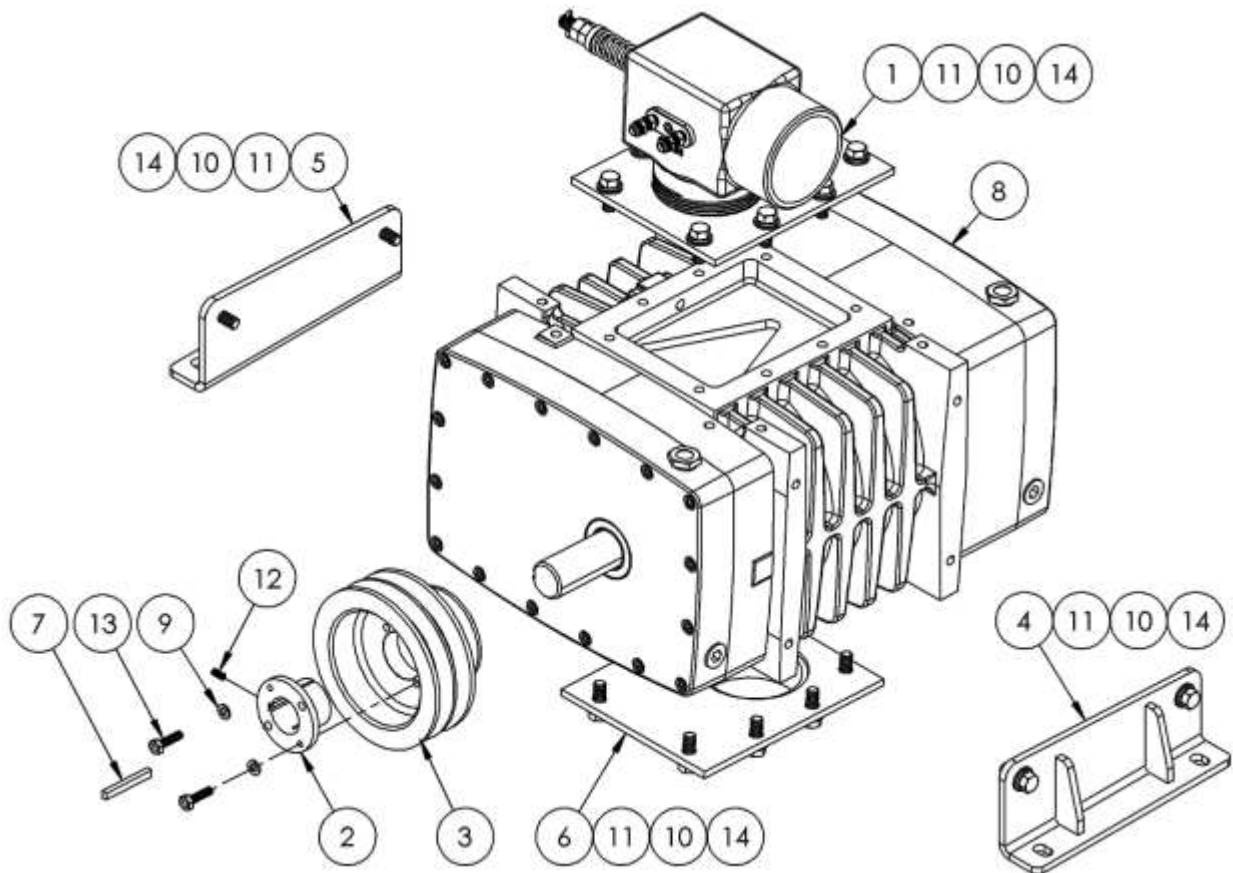


SECTION FOUR – PARTS AND ACCESSORIES

69-647, ASSEMBLY, INSTRUMENT PANEL – BOM TABLE

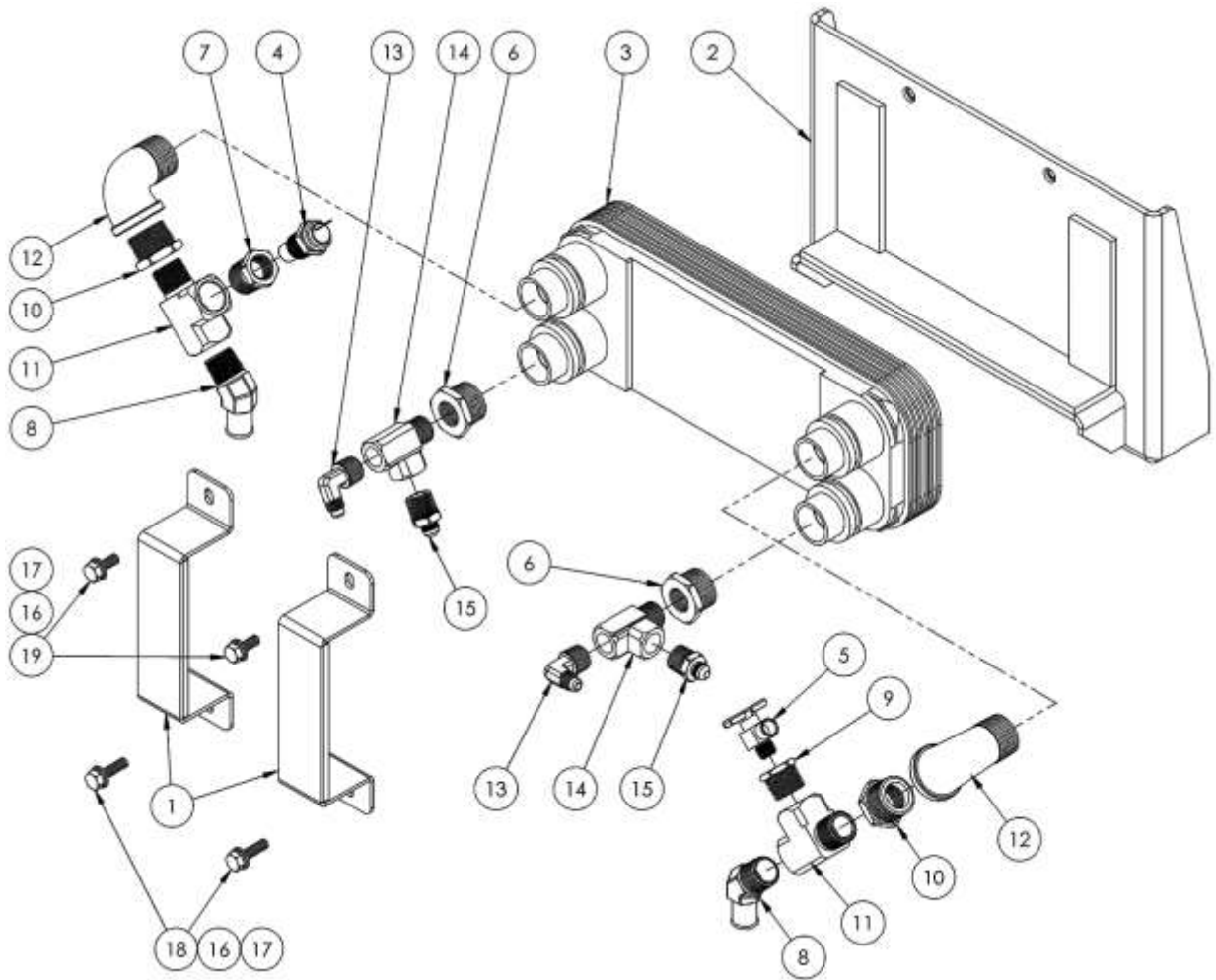
8	32	10-016	SCREW, MACHINE 10-32 X 1 SOCHD SS
2	31	10-150	SCREW - 10-32 X 1/2 PHP ZP
8	30	11-002	NUT, WELL G 10-32
1	29	18-215-19	HOSE ASSY, 3/16 ID X 04 FJIC X 04 FJIC X 7.00L W/SS & CVR
4	28	21-001	CONN, 1/8 P X 1/4 T BR
2	27	21-007	FITG, BRB 1/8 P X 5/16 H BR
1	26	21-037	ELL, 1/4 IN. BRASS
1	25	21-038	ELL, STREET 1/8 IN BRASS
1	24	21-045	NIP, 1/8 IN HEX BRASS
1	23	21-050	CONN, 1/4 NPT X 1/4 JIC BRASS
1	22	21-054	ELL, 1-8P X 1/4 T BRASS
1	21	21-432	ELL, 1/4 FP X 45 DEG BRASS
1	20	21-433	CONN, 1/4 P X 1/4 POLY
1	19	21-566	TEE, 1/4 JIC MALE BR
1	18	23-027	VALVE, 3-WAY BALL 1/8 FP SS
1	17	23-028	VLV, MET 1/8 FP (CHEM) RT ANG SS
1	16	23-118	VALVE, METERING 1/8FP RT ANGLE SS
1	15	26-003	FLOWMETER, 1/8 FP
1	14	26-033	HOURLMETER, HOBBS CHROME BEZEL
1	13	26-044	GAUGE, VACUUM 2.5 IN 0-30 IN/HG
1	12	26-045	GAUGE, PRESSURE 2.5 IN 0-1500 PSI
1	11	26-049	GAUGE, WTR TEMP CHROME 280 DEG.
2	10	29-016	SWITCH, ROTARY NON-ILLUMINATED
1	9	29-024	SWITCH, THROTTLE CONTROL 3 POS
1	8	29-057	SWITCH, CLUTCH CONTROL 3 POS
1	7	29-059	DUMMY BLOCK
1	6	30-007	BREAKER, 30 AMP
3	5	30-008	BREAKER, 20 AMP
1	4	30-073	LIGHT, IND LAMP 12V RED
1	3	30-074	LIGHT, IND LAMP 12V GREEN
2	2	34-010	RELAY, ENG.SHTDWN 12V 40/60AMP
1	1	58-744	PANEL, INSTRUMENT
QTY	ITEM	PART NO.	DESCRIPTION

69-680, ASSEMBLY, VACUUM PUMP



20	14	10-029	SCREW, MACH 3/8-16 X 1 HXHD
2	13	10-175	SCREW, MACH 1/4-20 X 1 HXHD YZ8
1	12	10-356	SCREW, SET 10-32 X .5 CP SOCHD BLK
20	11	12-013	WASHER, FLAT 3/8 USS
20	10	12-014	LKWSR, 3/8 ZINC
2	9	12-015	LKWSR, 1/4 ZINC
1	8	46-058	VACUUM PUMP, HELI FLOW HF408 HORZ RH CW
1	7	55-171	KEYSTOCK, 1/4 X 3/16 X 12 IN UNDERSIZED
1	6	61-1198	WELDMENT, BLOWER OUTLET
1	5	61-1219	WELDMENT, BLOWER MOUNT LS
1	4	61-1220	WELDMENT, BLOWER MOUNT RS
1	3	66-388	PULLEY, 4 GROOVE
1	2	66-544	HUB, H X 1-1/4 W/SET SCREW
1	1	69-703	ASSY, VACUUM INLET
QTY	ITEM	PART NO.	DESCRIPTION

69-860, ASSEMBLY, COOLANT HEAT EXCHANGER

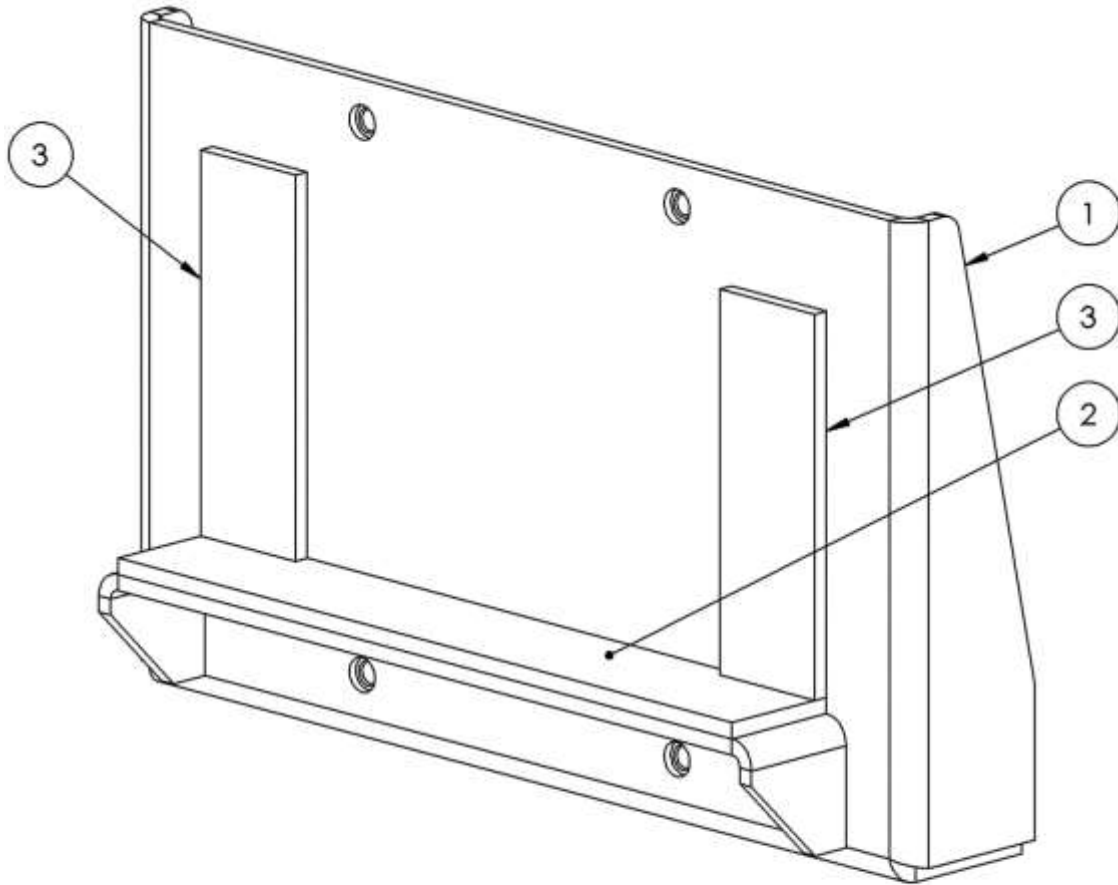


SECTION FOUR – PARTS AND ACCESSORIES

69-860, ASSEMBLY, COOLANT HEAT EXCHANGER (BOM TABLE)

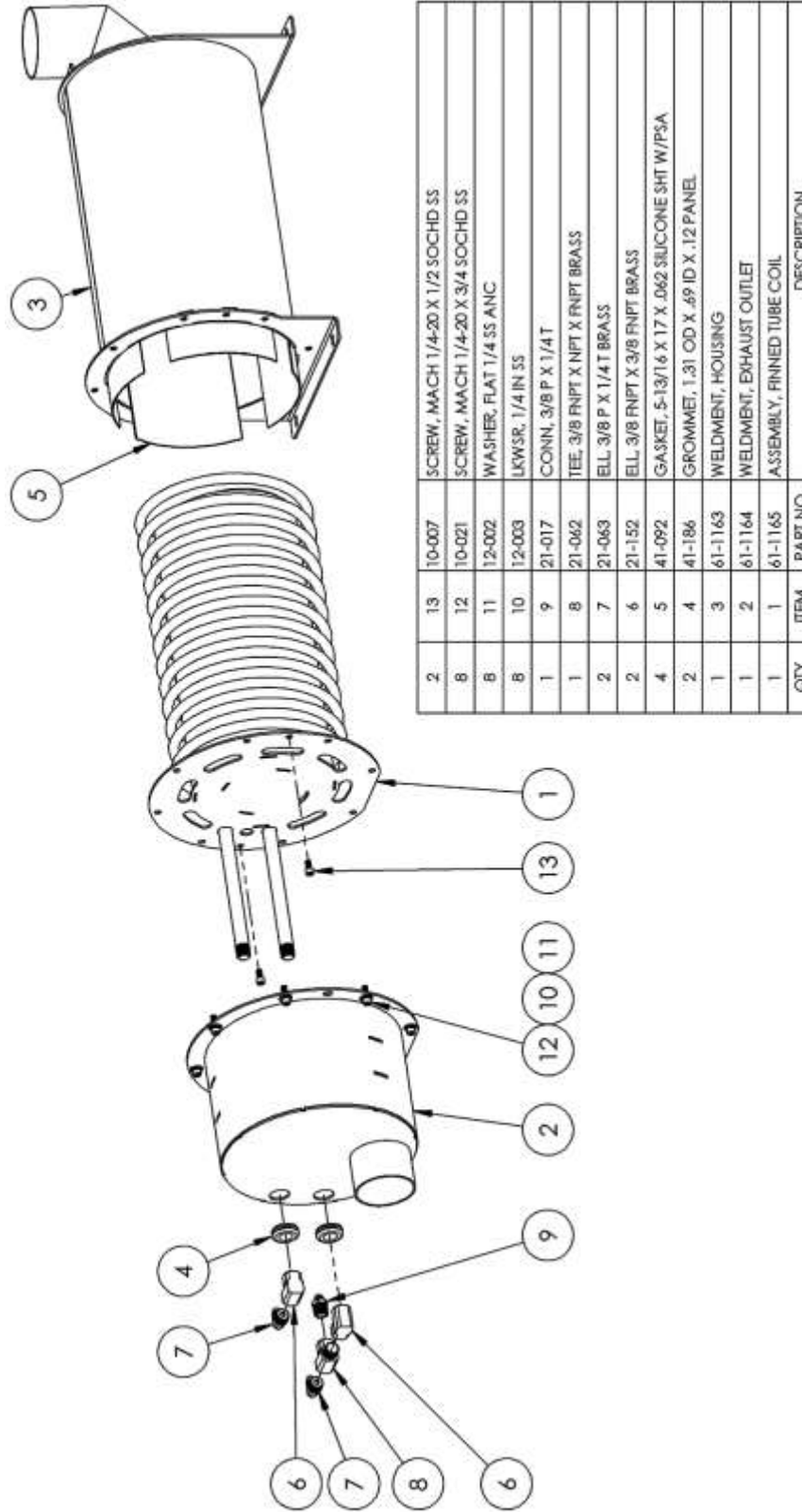
2	19	10-025	SCREW, MACH 1/4-20 X 3/4 HXHD GRD5
2	18	10-026	SCREW, MACH 1/4-20 X 1 HXHD
4	17	12-011	WASHER, FLAT #12 SAE
4	16	12-015	LKWSR, 1/4 ZINC
2	15	21-017	CONN, 3/8 P X 1/4 T
2	14	21-062	TEE, 3/8 FNPT X NPT X FNPT BRASS
2	13	21-063	ELL, 3/8 P X 1/4 T BRASS
2	12	21-077	ELL, STREET 3/4 NTP BRASS
2	11	21-111	TEE, STREET 1/2 NPT BRASS
2	10	21-131	BUSHING, 3/4M X 1/2F BRASS
1	9	21-233	BUSHING, 1/2 NPT X 1/4 FNPT
2	8	21-324	ELL, 1/2P X 5/8H 45 DEG BRASS
1	7	21-371	BUSHING, 1/2 NPT X 3/8 NPT HEX BRASS
2	6	21-407	BUSHING, 3-4 MP X 3-8 FP HEX BRASS
1	5	23-008	COCK, DRN 1/4P X 1/4H ELL BRASS
1	4	34-035	SWITCH, TEMP STANDARD 250 TS-81
1	3	63-244	HEAT EXCHANGER, PLATE
1	2	69-861	ASSY, HEAT EXCH MOUNT
2	1	69-862	ASSY, PLT HEAT EXCH CLAMP
QTY	ITEM	PART NO.	DESCRIPTION

69-861, ASSY, HEAT EXCHANGER MOUNT



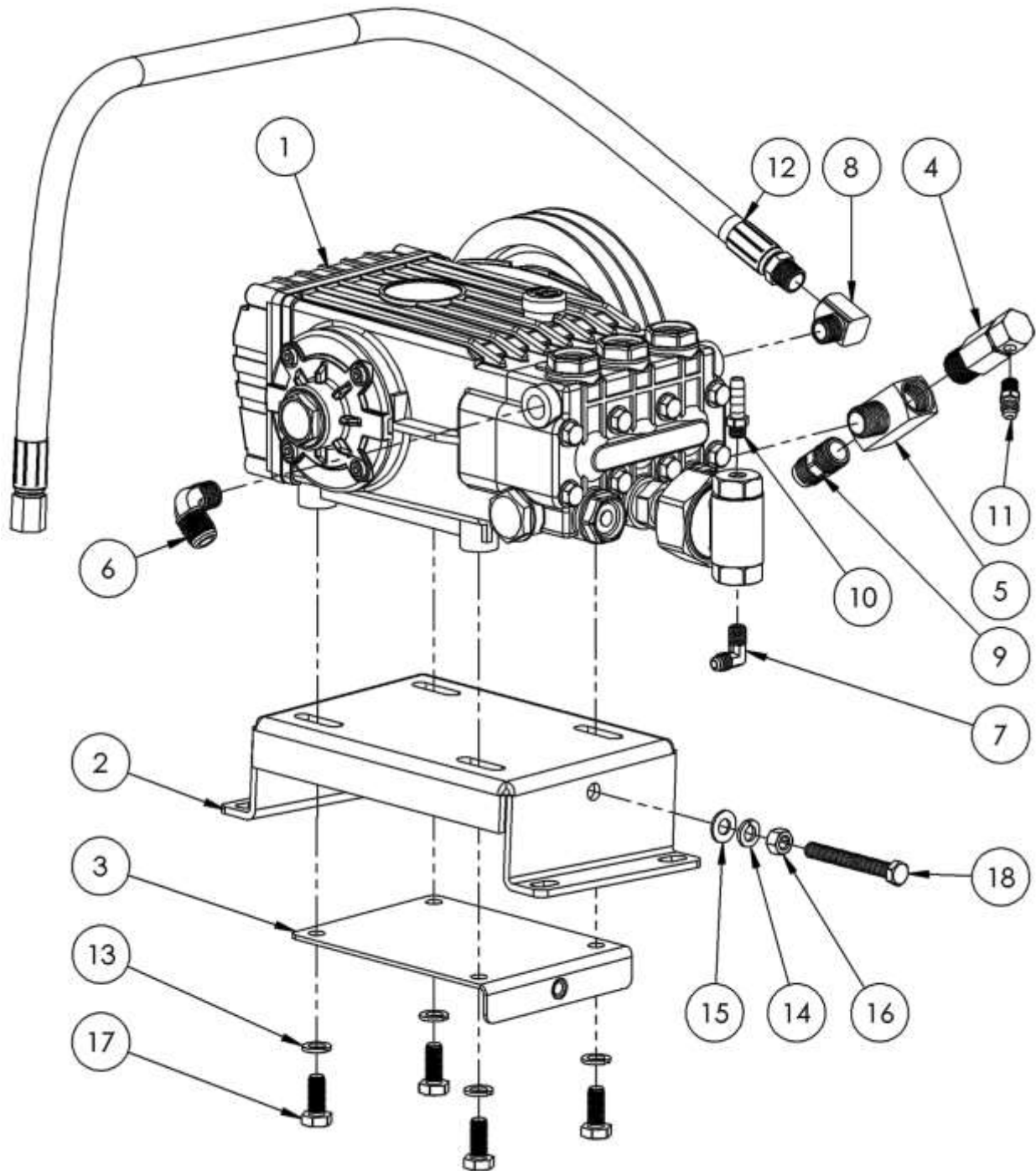
2	3	41-091	PAD, 1/4 SILICONE SPONGE 1-1/2W X 16-1/2L
9.75 IN	2	41-091	PAD, 1/4 SILICONE SPONGE 1-1/2W X 16-1/2L
1	1	61-1420	WELDMENT, HEAT EXCH MOUNT
QTY	ITEM	PART NO.	DESCRIPTION

69-682, ASSEMBLY, HEAT EXCHANGER



QTY	ITEM	PART NO.	DESCRIPTION
2	13	10-007	SCREW, MACH 1/4-20 X 1/2 SOCHD SS
8	12	10-021	SCREW, MACH 1/4-20 X 3/4 SOCHD SS
8	11	12-002	WASHER, FLAT 1/4 SS ANC
8	10	12-003	LKWSR, 1/4 IN SS
1	9	21-017	CONN, 3/8 P X 1/4 T
1	8	21-042	TEE, 3/8 FNPT X NPT X FNPT BRASS
2	7	21-063	ELL, 3/8 P X 1/4 T BRASS
2	6	21-152	ELL, 3/8 FNPT X 3/8 FNPT BRASS
4	5	41-092	GASKET, 5-13/16 X 17 X .062 SILICONE SHT W/PSA
2	4	41-186	GROMMET, 1.31 OD X .69 ID X .12 PANEL
1	3	61-1163	WELDMENT, HOUSING
1	2	61-1164	WELDMENT, EXHAUST OUTLET
1	1	61-1165	ASSEMBLY, FINNED TUBE COIL

69-679, ASSEMBLY, GENERAL WATER PUMP



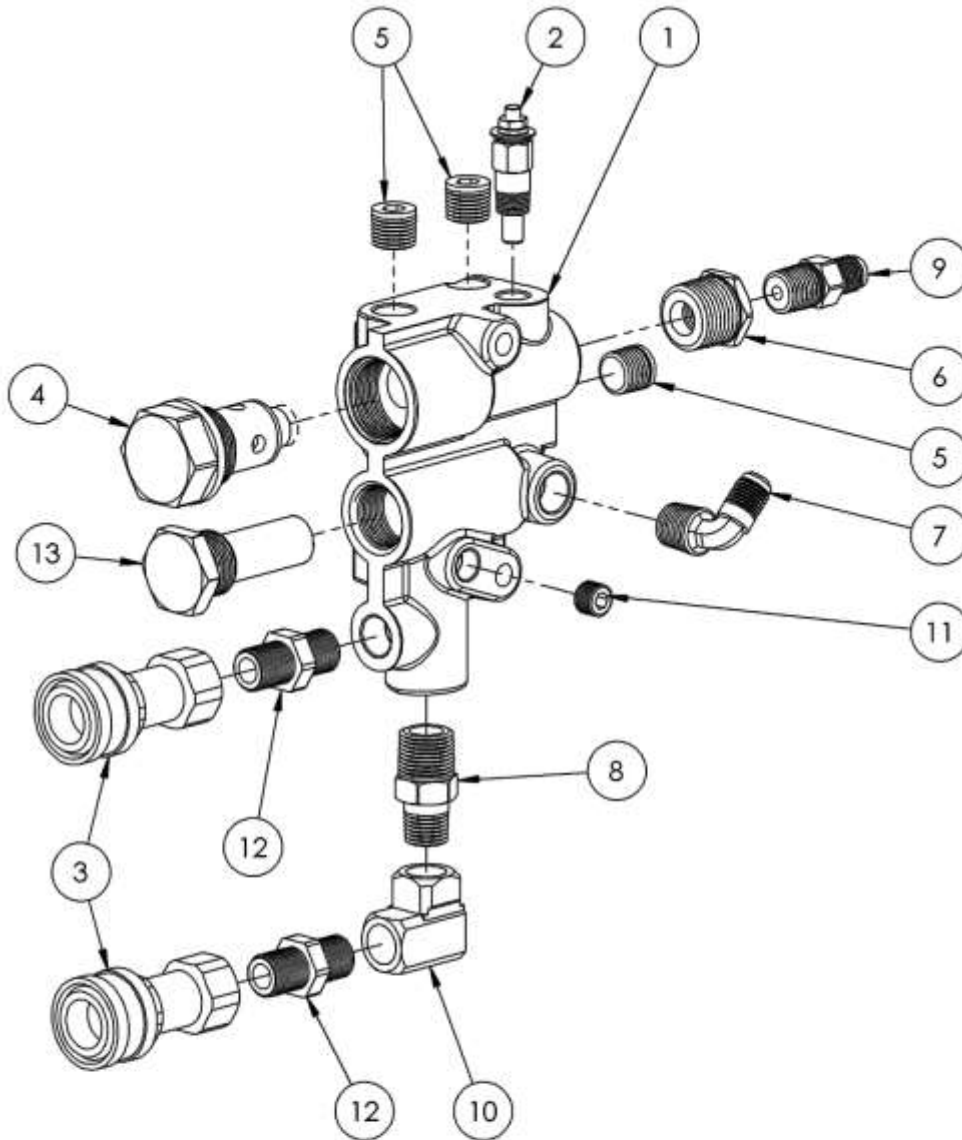
SECTION FOUR – PARTS AND ACCESSORIES

69-679, ASSEMBLY, GENERAL WATER PUMP BOM TABLE

10 IN	N/A	32-025	LOOM, HI HEAT .250 DIA. BLACK
1	18	10-057	BOLT, TAP 3/8-16 X 3 GR 5
4	17	10-129	SCREW, M10-1.5 X 30MM HCS Z GRB.8
1	16	11-006	NUT, 3/8-16 ZINC
1	15	12-013	WASHER, FLAT 3/8 USS
1	14	12-014	LKWSR, 3/8 ZINC
4	13	12-024	LKWSR, 10MM ZINC
1	12	18-199	HOSE, PULSE 3/8 S 36 IN
1	11	21-001	CONN, 1/8 P X 1/4 T BR
1	10	21-007	FTG, BRB 1/8 P X 5/16 H BR
1	9	21-012	CONN, 1/2 NPT X 1/2 T BRASS
1	8	21-040	ELBOW, STREET 3/8 IN BRASS
1	7	21-054	ELL, 1-8P X 1/4 T BRASS
1	6	21-061	ELL, 3/8 P X 1/2 T BRASS
1	5	21-442	TEE, .50 FP X .50 MP X .50 FP BRASS
1	4	23-033	VALVE, 165 DEG THERMAL CAT 7145
1	3	61-1161	WELDMENT, PRESSURE PUMP ADJUST
1	2	61-1200	WELDMENT, PRESSURE PUMP BRKT
1	1	68-180	ASSY, PRESSURE PUMP
QTY	ITEM	PART NO.	DESCRIPTION

SECTION FOUR – PARTS AND ACCESSORIES

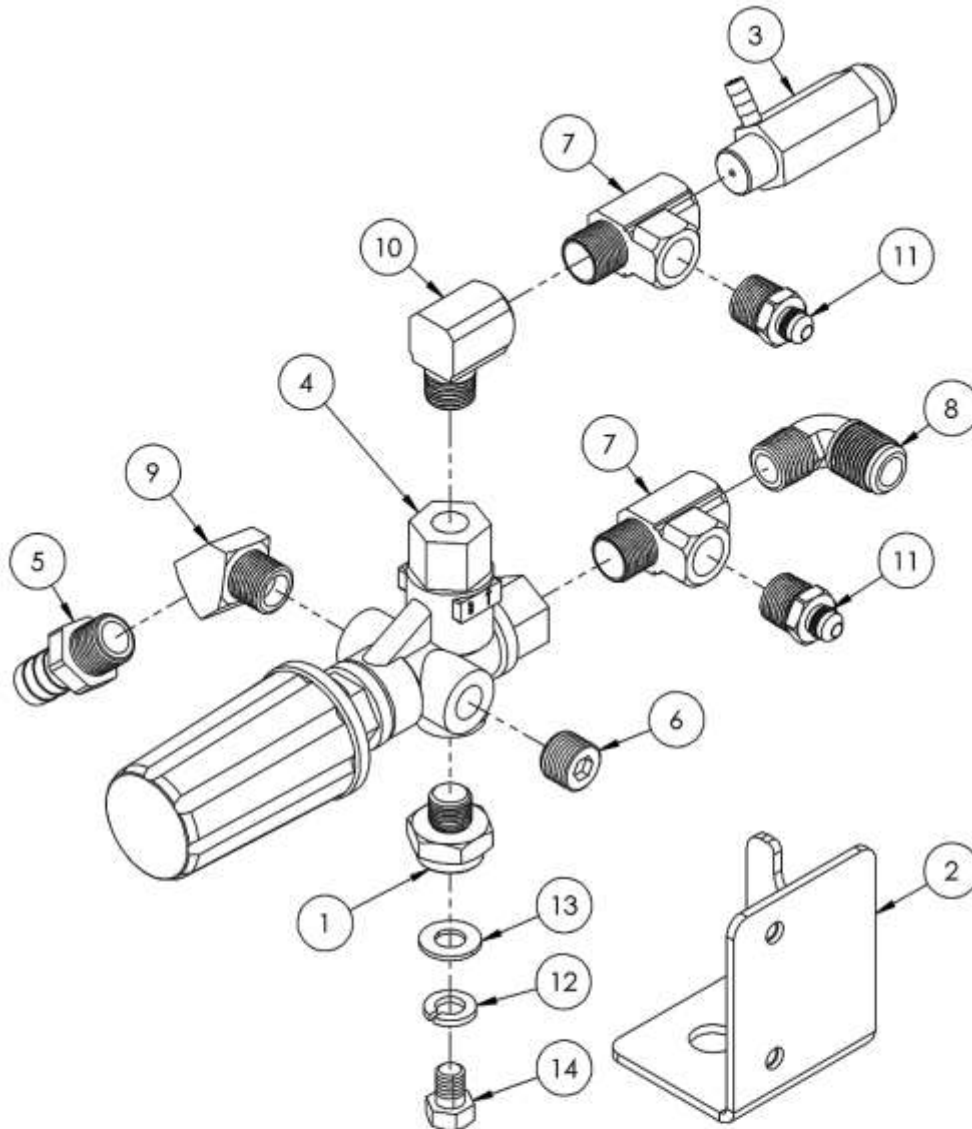
69-352, ASSEMBLY, SOLUTION MANIFOLD



1	13	20-018	SCREEN, CHECK VALVE MANIFOLD
2	12	21-026	NIP, 1/4 HEX BRASS
1	11	21-029	PLUG, 1/8 NPT SOCKET HD BRASS
1	10	21-037	ELL, 1/4 IN. BRASS
1	9	21-050	CONN, 1/4 NPT X 1/4 JIC BRASS
1	8	21-052	NIP, 3/8 X 1/4 HEX BRASS
1	7	21-064	ELL, 1/4 P X 1/4 T BRASS
1	6	21-233	BUSHING, 1/2 NPT X 1/4 FNPT
3	5	21-264	PLUG, 1/4 NPT BRASS
1	4	23-063	ASSY, CHECK VALVE
2	3	25-001	DSC, 1/4F X 1/4FP BRASS
1	2	34-000	SENSOR, TEMP, 140-320 DEGREE
1	1	66-205	MANIFOLD BLOCK
QTY	ITEM	PART NO.	DESCRIPTION

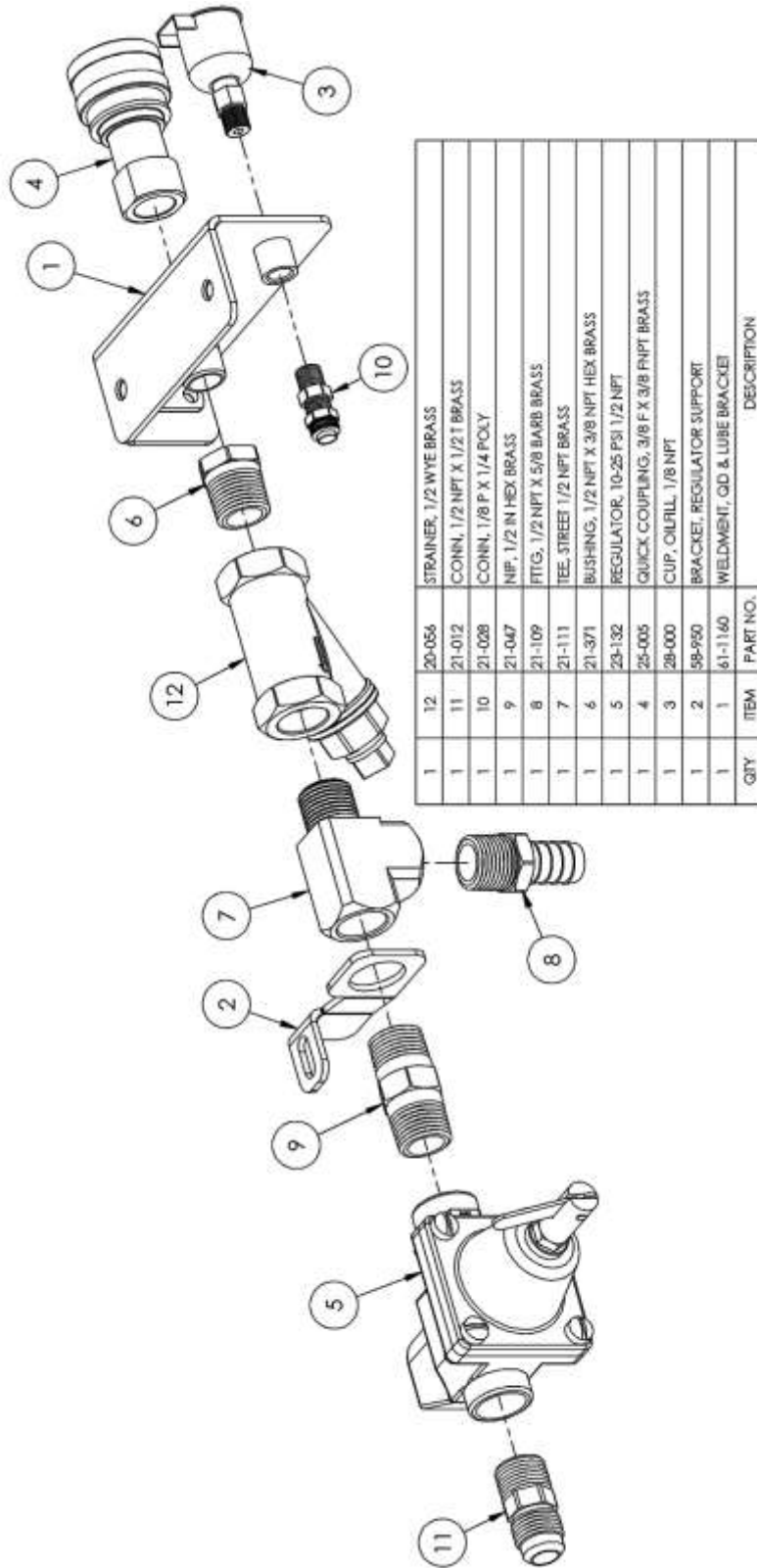
SECTION FOUR – PARTS AND ACCESSORIES

69-675, ASSEMBLY, PRESSURE REGULATOR BRACKET



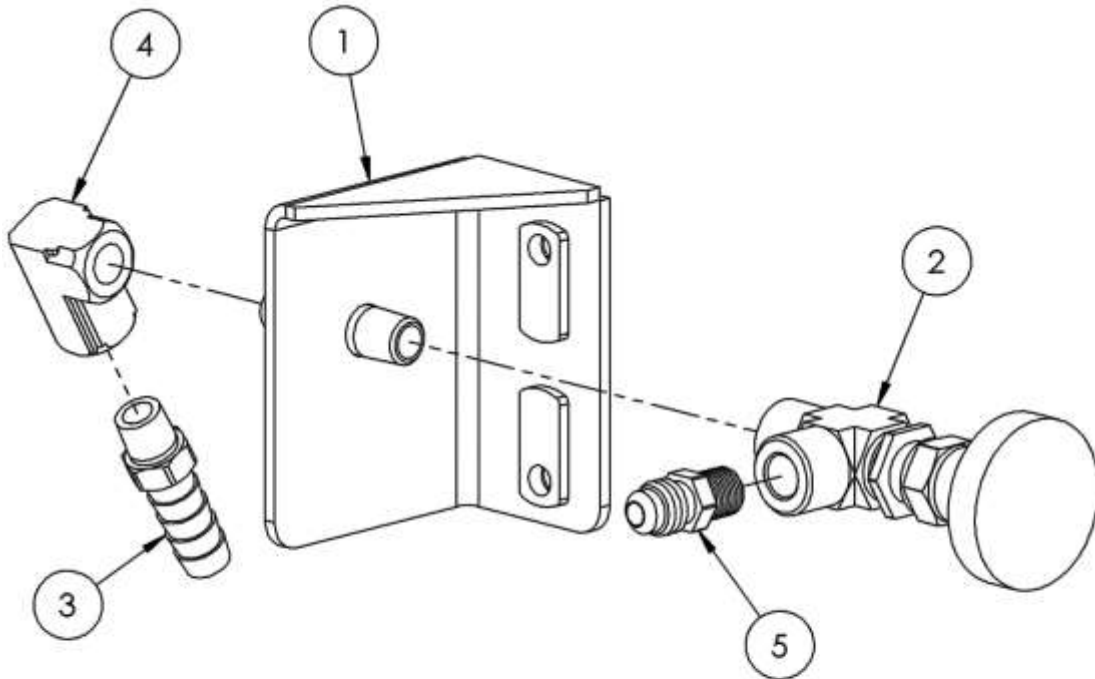
1	14	10-157	SCREW, MACH 3/8-16 X 1/2 HH ZP
1	13	12-013	WASHER, FLAT 3/8 USS
1	12	12-014	LKWSR, 3/8 ZINC
2	11	21-017	CONN, 3/8 P X 1/4 T
1	10	21-040	ELBOW, STREET 3/8 IN BRASS
1	9	21-043	ELL, STREET 3/8 IN 45 DEG BRASS
1	8	21-061	ELL, 3/8 P X 1/2 T BRASS
2	7	21-062	TEE, 3/8 FNPT X NPT X FNPT BRASS
1	6	21-146	PLUG, 3/8 NPT BRASS
1	5	21-261	FITTING, 5/8 HOSE BARB X 3/8 NPT BRASS
1	4	23-079	UNLOADER, CAT #7670
1	3	23-130	VALVE, POP-OFF 3/8 NPT
1	2	61-1158	WELDMENT, PRESSURE REGULATOR BRACKET
1	1	66-340	FITTING, 3/8 NPT M X 3/8-16 F STANDOFF
QTY	ITEM	PART NO.	DESCRIPTION

69-678, ASSEMBLY, WATER INLET AND VACUUM LUBE BRACKET



QTY	ITEM	PART NO.	DESCRIPTION
1	12	20-056	STRAINER, 1/2 WYE BRASS
1	11	21-012	CONN, 1/2 NPT X 1/21 BRASS
1	10	21-028	CONN, 1/8 P X 1/4 POLY
1	9	21-047	NIP, 1/2 IN HEX BRASS
1	8	21-109	FTG, 1/2 NPT X 5/8 BARB BRASS
1	7	21-111	TEE, STREET 1/2 NPT BRASS
1	6	21-371	BUSHING, 1/2 NPT X 3/8 NPT HEX BRASS
1	5	23-132	REGULATOR, 10-25 PSI 1/2 NPT
1	4	25-005	QUICK COUPLING, 3/8 F X 3/8 FNPT BRASS
1	3	28-000	CUP, OILFILL, 1/8 NPT
1	2	58-950	BRACKET, REGULATOR SUPPORT
1	1	61-1160	WELDMENT, QD & LUBE BRACKET

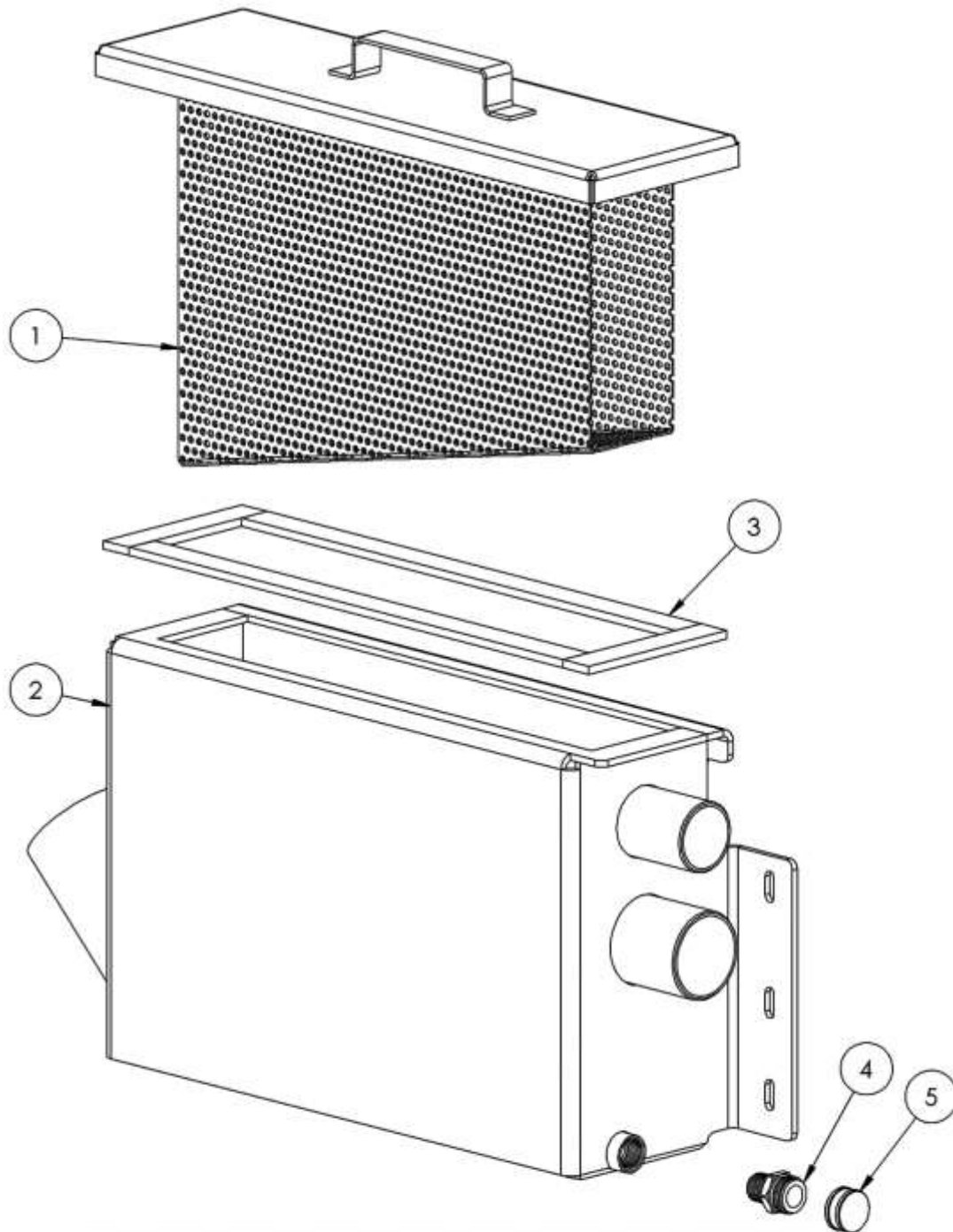
69-721, ASSEMBLY, HOT WATER VALVE



1	5	21-001	CONN, 1/8 P X 1/4 T BR
1	4	21-090	ELL, 1/8 FNPT X 1/8 FNPT BRASS
1	3	21-170	FTG, BARB 1/8 MNPT X 3/8 H BRASS
1	2	23-118	VALVE, METERING 1/8FP RT ANGLE SS
1	1	61-1222	WELDMENT, HOT WATER BRACKET
QTY	ITEM	PART NO.	DESCRIPTION

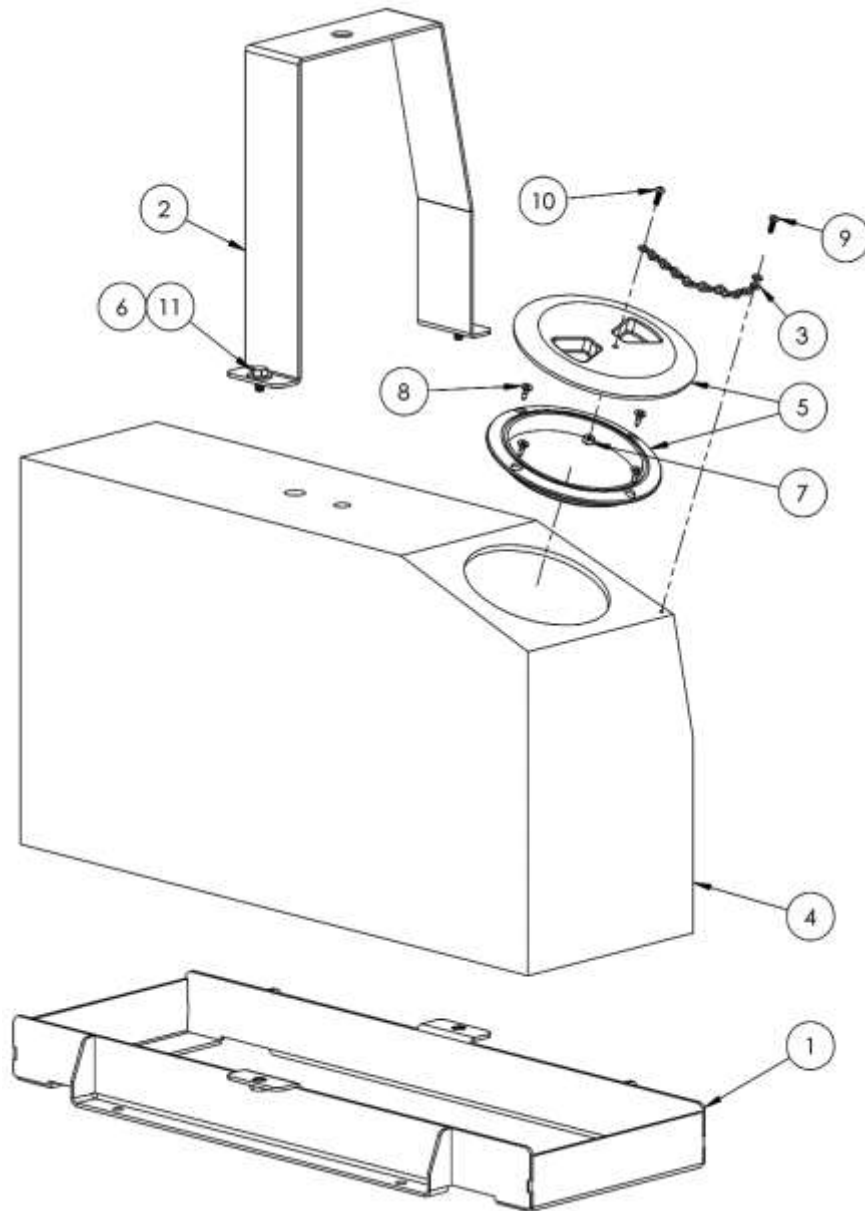
SECTION FOUR – PARTS AND ACCESSORIES

69-714, ASSEMBLY, PREFILTER BOX



1	5	21-071	CAP, GARDEN HOSE 3/4 BRASS
1	4	21-398	FTTG, GRDN HOSE 1/2 P X 3/4 H
44.52 IN	3	41-018	GASKET, SPONGE 1 IN X 45 FT
1	2	61-1214	WELDMENT, PREFILTER BOX
1	1	61-1215	WELDMENT, FILTER BOX LID
QTY	ITEM	PART NO.	DESCRIPTION

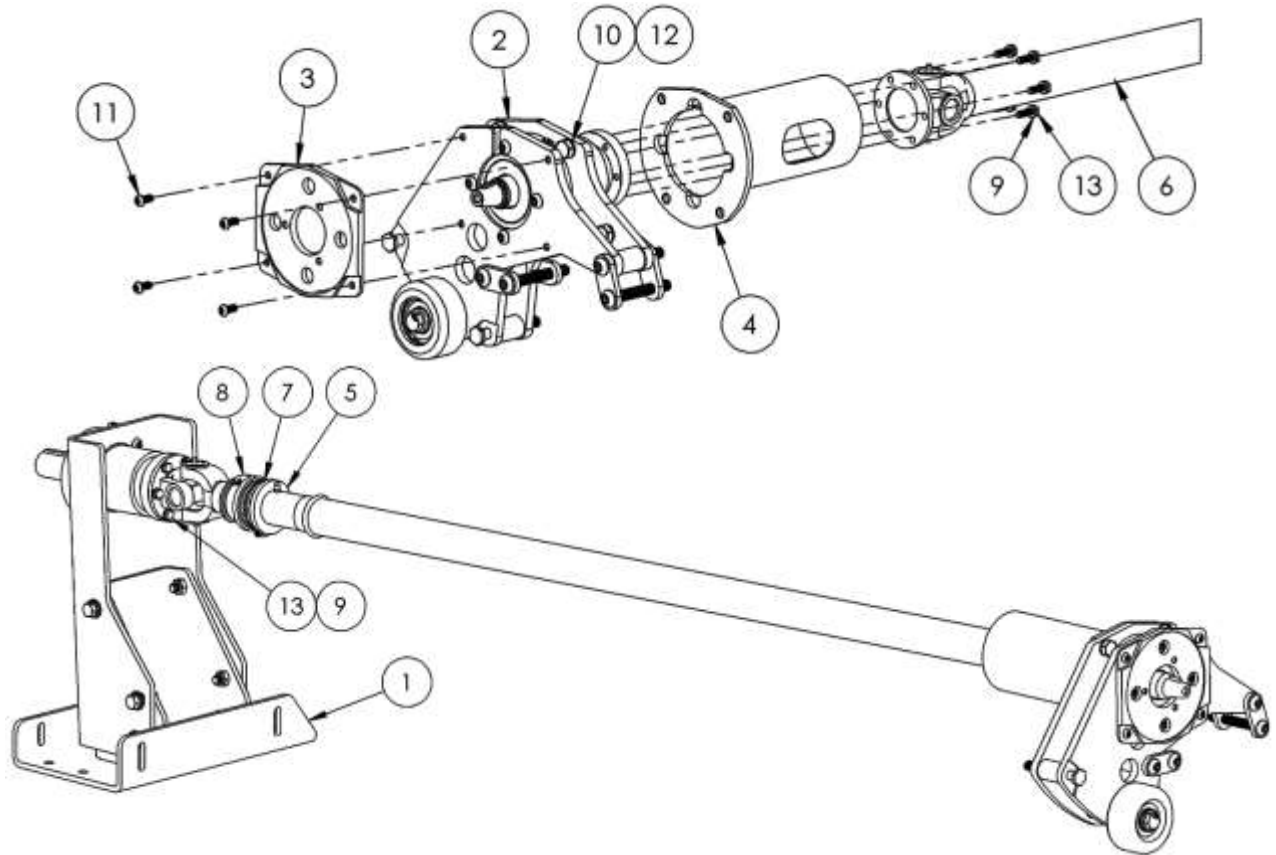
69-717, ASSEMBLY, CHEMICAL JUG



2	11	10-006	SCREW, MACH 1/4-20 X 1/2 HEXHD
1	10	10-113	SCREW, MACH 6-32 X 1/2 BHSCS SS
1	9	10-151	SCREW, #6 X 1-2 AB PHP SS (BEHIND KNOB)
4	8	10-346	SCREW, WOOD #8-15 X 1/2 FPH 18-8 SS
1	7	11-021	NUT, 6-32 NYLOK
2	6	12-012	WASHER, FLAT 1/4 USS
1	5	21-525	DECK PLATE, 4 IN BLK LOW PROFILE
1	4	50-023	JUG, CHEMICAL 6 GAL
6.5 IN	3	50-024	CHAIN, JACK #16 ZPS
1	2	58-805	STRAP, CHEM JUG HOLDER
1	1	61-1218	WELDMNT, CHEM JUG HOLDER
QTY	ITEM	PART NO.	DESCRIPTION

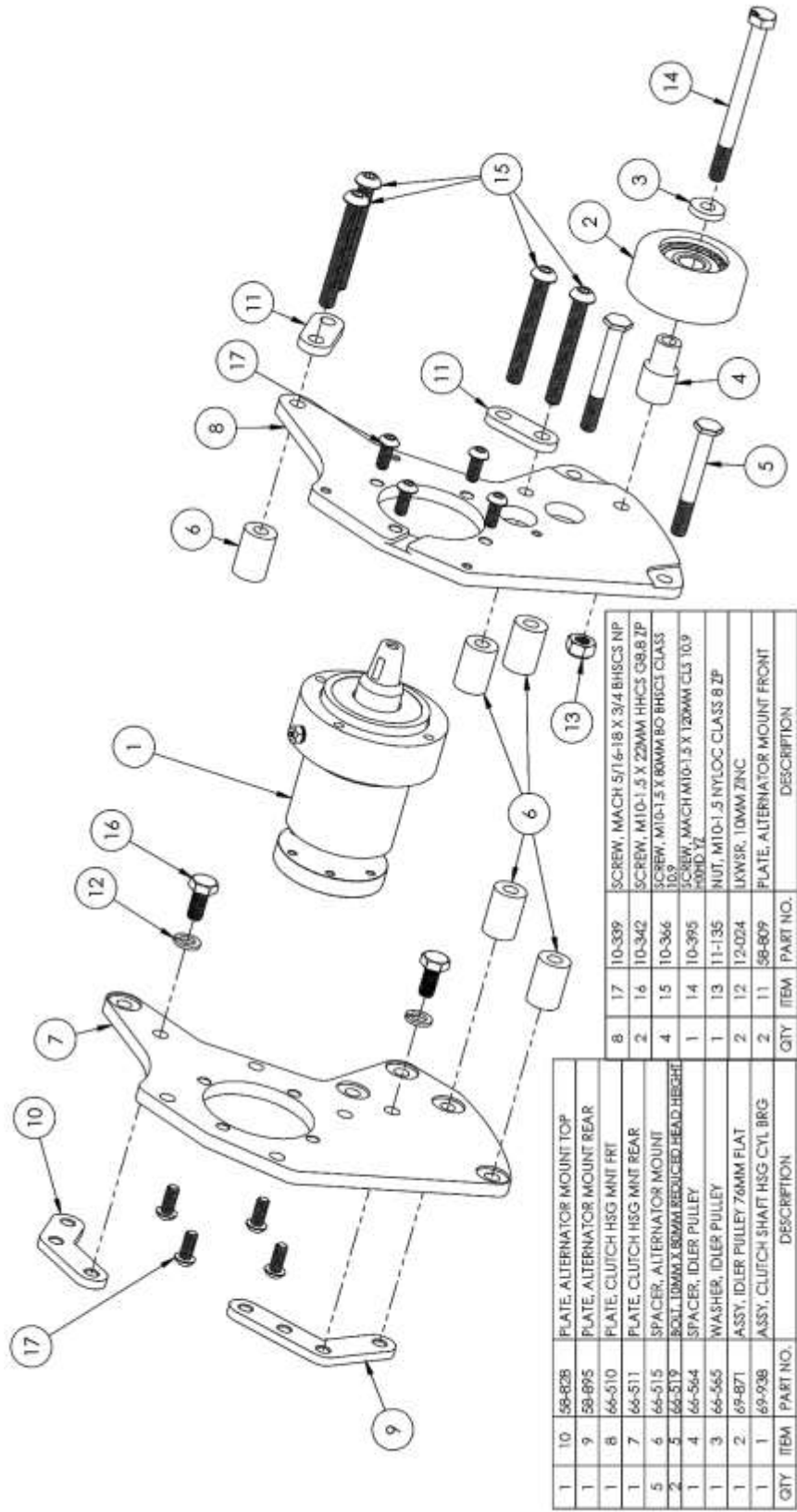
SECTION FOUR – PARTS AND ACCESSORIES

68-370, KIT, SM FRONT END GM



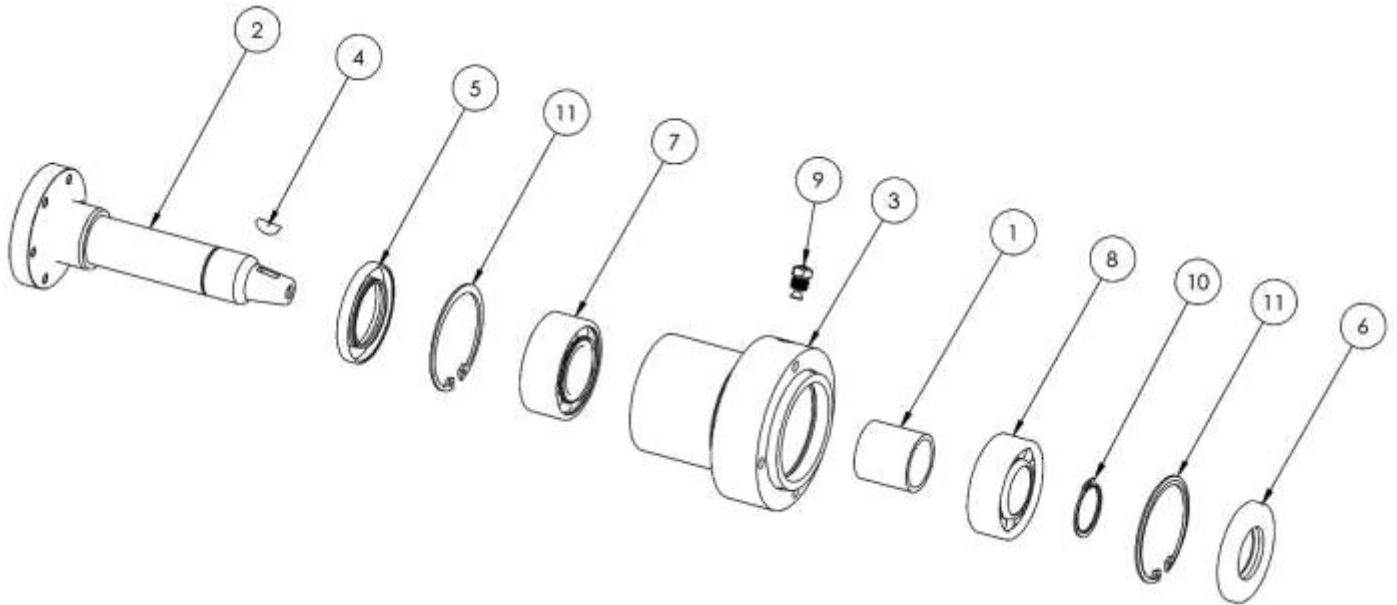
12	13	10-325	SCREW, M6-1.0 X 20MM 8.8 HXHD ZP
4	12	10-342	SCREW, M10-1.5 X 22MM HHCS G8.8 ZP
4	11	10-364	SCREW, 1/4-20 X 5/8 BO BHSCS W-NYLON PATCH
4	10	12-024	LKWSR, 10MM ZINC
12	9	12-063	WASHER, LOCK M6 ZP
1	8	14-006	CLAMP, HOSE #20 SS
1	7	14-122	CLAMP, HOSE #28 SS
1	6	42-023	DRIVELINE, ELBE SERIES 107 FLGD
1	5	51-116	CASTING, URETHANE DAMPENER
1	4	61-1224	WELDMENT, DRIVELINE FRONT GUARD
1	3	66-548	ADAPTER, 7 IN CLUTCH MOUNT
1	2	69-722	ASSY, CLUTCH SHAFT HOUSING MOUNT
1	1	69-726	ASSY, PULLEY SHAFT HOUSING MOUNT
QTY	ITEM	PART NO.	DESCRIPTION

69-722, ASSEMBLY, CLUTCH SHAFT HOUSING MOUNT



QTY	ITEM	PART NO.	DESCRIPTION
1	10	58-828	PLATE, ALTERNATOR MOUNT TOP
1	9	58-895	PLATE, ALTERNATOR MOUNT REAR
1	8	66-510	PLATE, CLUTCH HSG MNT FRT
1	7	66-511	PLATE, CLUTCH HSG MNT REAR
5	6	66-515	SPACER, ALTERNATOR MOUNT
2	5	66-519	BOLT, 10MM X 80MM REDUCED HEAD HEIGHT
1	4	66-564	SPACER, IDLER PULLEY
1	3	66-565	WASHER, IDLER PULLEY
1	2	69-871	ASSY, IDLER PULLEY 76MM FLAT
1	1	69-938	ASSY, CLUTCH SHAFT HSG CYL BRG
QTY	ITEM	PART NO.	DESCRIPTION
8	17	10-339	SCREW, MACH 5/16-18 X 3/4 BHCS NP
2	16	10-342	SCREW, M10-1.5 X 22MM HHCS GB 8 ZP
4	15	10-366	SCREW, M10-1.5 X 80MM BO BHCS CLASS 10.9
1	14	10-395	SCREW, MACH M10-1.5 X 120MM CL3 10.9 F00D.Y2
1	13	11-135	NUT, M10-1.5 NYLOC CLASS 8 ZP
2	12	12-024	LKWSR, 10MM ZINC
2	11	58-809	PLATE, ALTERNATOR MOUNT FRONT
QTY	ITEM	PART NO.	DESCRIPTION

69-938, ASSEMBLY, CLUTCH SHAFT BEARING HOUSING

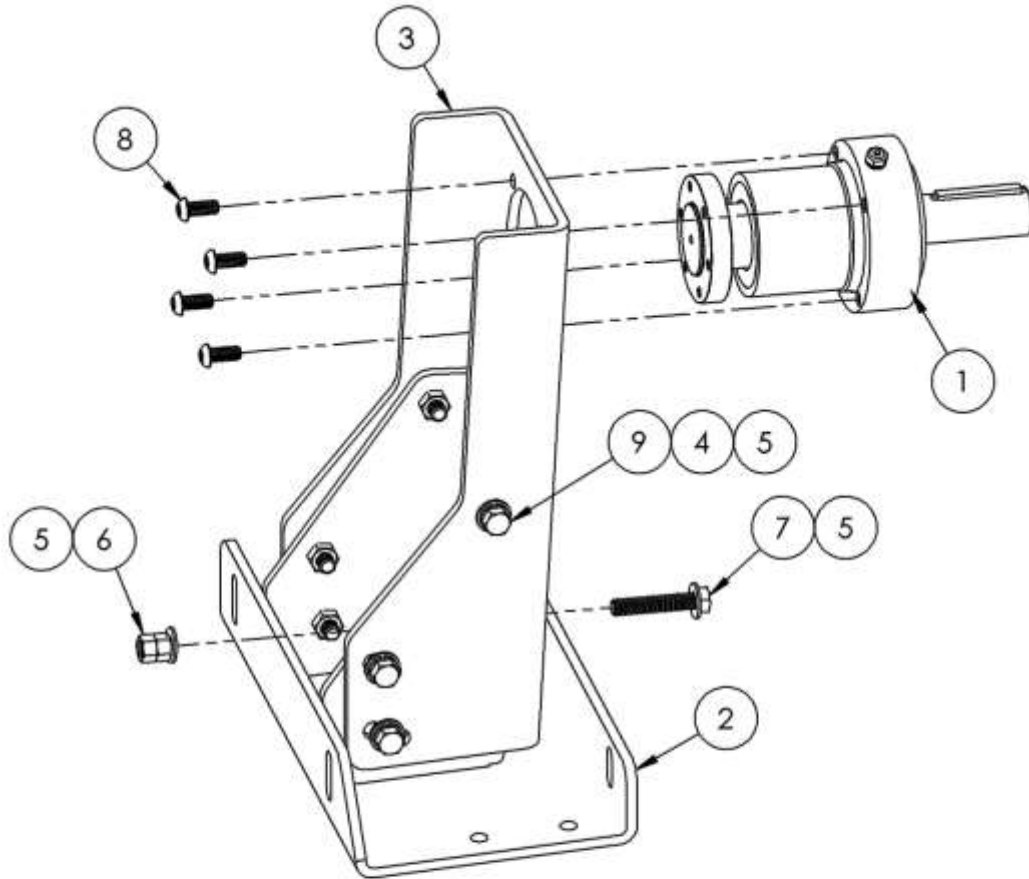


2	11	15-072	RETAINING RING, ROTOR CLIP VHO-244
1	10	15-084	RETAINING RING, ROTOR CLIP VSH-119
1	9	20-072	VENT, BREATHER .125 NPT
1	8	39-106	BEARING, NU 2206 ECPH SKF
1	7	39-107	BEARING, 3206 ATN9 SKF
1	6	39-108	SEAL, OIL METRIC 30 X 62 X 7
1	5	39-109	SEAL, OIL METRIC 38 X 62 X 7
1	4	55-341	WOODRUFF KEY, #6 5/32 X 5/8 8630 ALLOY STL
1	3	66-598	HOUSING, DRIVE SHAFT CYL BRG
1	2	66-599	SHAFT, CLUTCH CYL BRGS
1	1	66-600	SPACER, BEARING
QTY	ITEM	PART NO.	DESCRIPTION

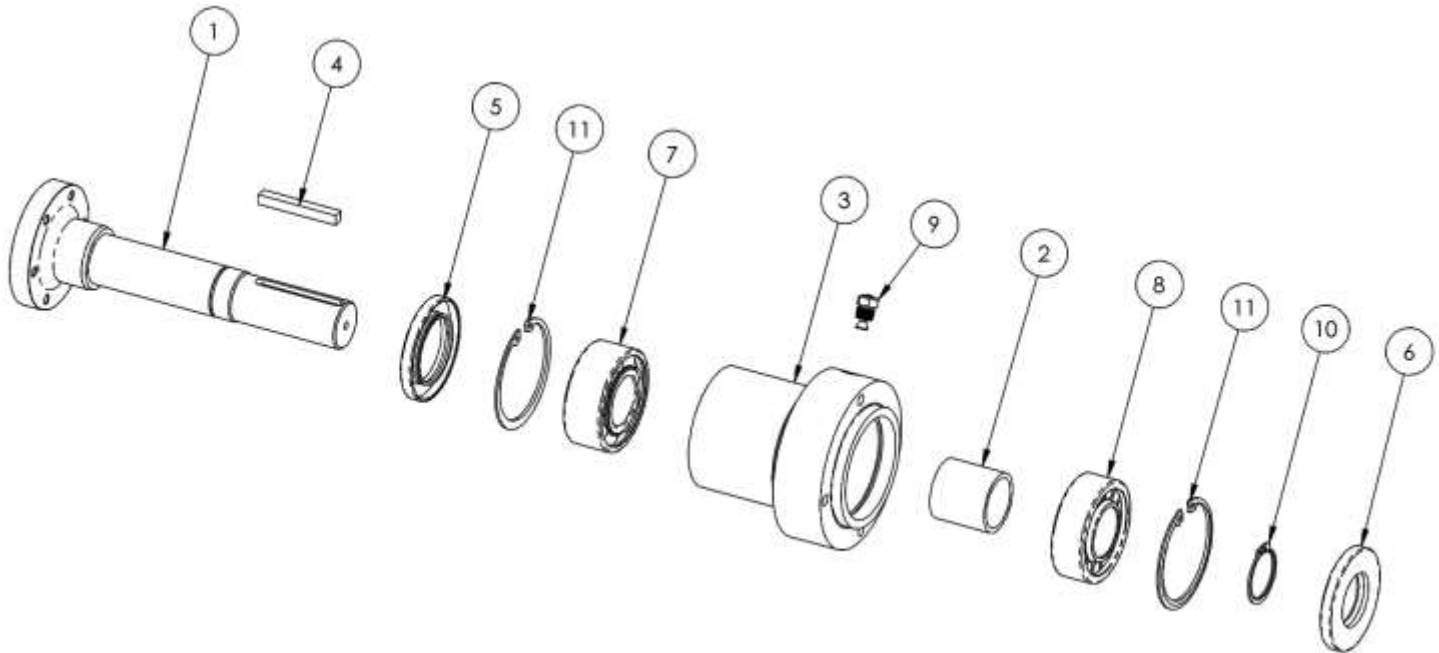
69-938 ASSEMBLY INSTRUCTIONS

1. INSTALL 39-107 BEARING INTO END OF 66-598 HOUSING AS SHOWN ABOVE BY PRESSING ON OUTER RACE OF BEARING
2. INSTALL 39-106 BEARING OUTER RACE WITH CAGE AND ROLLERS INTO END OF 66-598 HOUSING AS SHOWN ABOVE BY PRESSING ON OUTER RACE OF BEARING
3. INSTALL 15-072 RETAINING RINGS INTO HOUSING WITH BEVELED EDGE OF RING FACING TOWARDS EACH END OF HOUSING
4. INSTALL 39-108 OIL SEAL FLUSH WITH END OF HOUSING AS SHOWN ABOVE, LUBE SEAL LIP WITH GREASE PRIOR TO INSTALLATION
5. PLACE 66-600 SPACER AND INNER RACE OF 39-106 BEARING INTO THE HOUSING ASSEMBLY, PRESS 66-599 SHAFT THRU 39-107 BEARING, 66-600 SPACER AND INNER RACE OF 39-106 BEARING WHILE SUPPORTING INNER RACE OF 39-106 BEARING
6. INSTALL 15-084 RETAINING RING ON 66-599 SHAFT
7. INSTALL 39-109 OIL SEAL FLUSH WITH END OF HOUSING, LUBE SEAL LIP WITH GREASE PRIOR TO INSTALLATION
8. INSTALL MACHINE KEY IN SHAFT AND WRAP WITH ELECTRICAL TAPE TO RETAIN
9. INSTALL 20-072, USE THREAD SEALANT

69-726, ASSEMBLY, PULLEY SHAFT HOUSING



6	9	10-004	SCREW, MACH 3/8-16 X 1-1/4 HEXHD
4	8	10-339	SCREW, MACH 5/16-18 X 3/4 BHSCS NP
1	7	10-347	BOLT, TAP 3/8-16 X 2 HXHD ZP
2	6	11-006	NUT, 3/8-16 ZINC
8	5	12-013	WASHER, FLAT 3/8 USS
6	4	12-014	LKWSR, 3/8 ZINC
1	3	60-2504	PANEL, PULLEY SHAFT HSG MNT SUPPORT
1	2	61-1226	WELDMENT, PULLEY SHAFT HSG MNT
1	1	69-944	ASSY, PULLEY SHAFT HSG CYL BRG
QTY	ITEM	PART NO.	DESCRIPTION

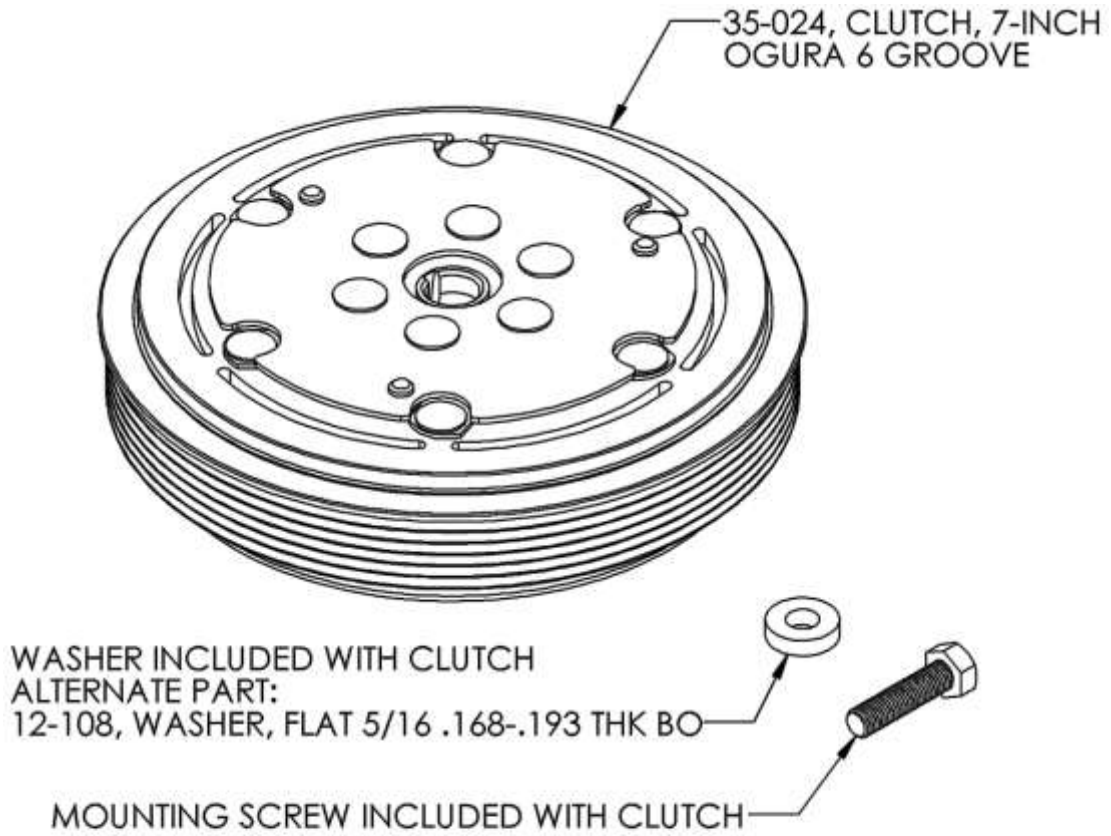
69-944, ASSEMBLY, PULLEY SHAFT BEARING HOUSING

2	11	15-072	RETAINING RING, ROTOR CLIP VHO-244
1	10	15-084	RETAINING RING, ROTOR CLIP VSH-119
1	9	20-072	VENT, BREATHER .125 NPT
1	8	39-106	BEARING, NU 2206 ECPH SKF
1	7	39-107	BEARING, 3206 ATN9 SKF
1	6	39-108	SEAL, OIL METRIC 30 X 62 X 7
1	5	39-109	SEAL, OIL METRIC 38 X 62 X 7
1	4	55-273	MACHINE KEY, 1/4 X 1/4 X 2.0 LG SQ END 1018 CRS
1	3	66-598	HOUSING, DRIVE SHAFT CYL BRG
1	2	66-600	SPACER, BEARING
1	1	66-601	SHAFT, PULLEY CYL BRG
QTY	ITEM	PART NO.	DESCRIPTION

69-938 ASSEMBLY INSTRUCTIONS

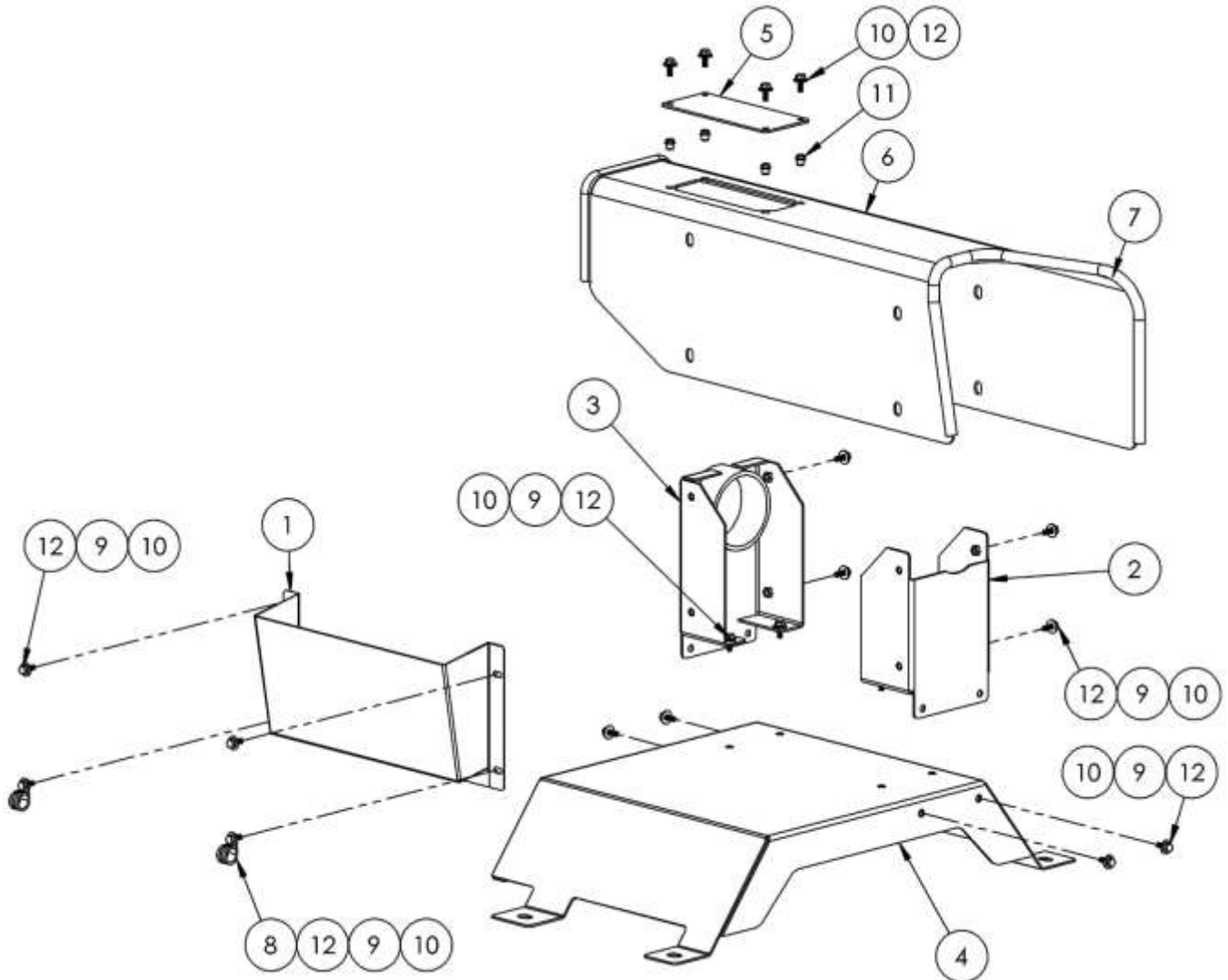
1. INSTALL 39-107 BEARING INTO END OF 66-598 HOUSING AS SHOWN ABOVE BY PRESSING ON OUTER RACE OF BEARING
2. INSTALL 39-106 BEARING OUTER RACE WITH CAGE AND ROLLERS INTO END OF 66-598 HOUSING AS SHOWN ABOVE BY PRESSING ON OUTER RACE OF BEARING
3. INSTALL 15-072 RETAINING RINGS INTO HOUSING WITH BEVELED EDGE OF RING FACING TOWARDS EACH END OF HOUSING
4. INSTALL 39-108 OIL SEAL FLUSH WITH END OF HOUSING AS SHOWN ABOVE, LUBE SEAL LIP WITH GREASE PRIOR TO INSTALLATION
5. PLACE 66-600 SPACER AND INNER RACE OF 39-106 BEARING INTO THE HOUSING ASSEMBLY, PRESS 66-601 SHAFT THRU 39-107 BEARING, 66-600 SPACER AND INNER RACE OF 39-106 BEARING WHILE SUPPORTING INNER RACE OF 39-106 BEARING
6. INSTALL 15-084 RETAINING RING ON 66-601 SHAFT
7. INSTALL 39-109 OIL SEAL FLUSH WITH END OF HOUSING, LUBE SEAL LIP WITH GREASE PRIOR TO INSTALLATION
8. INSTALL MACHINE KEY IN SHAFT AND WRAP WITH ELECTRICAL TAPE TO RETAIN
9. INSTALL 20-072 VENT, USE THREAD SEALANT

35-024, OGURA 7 IN CLUTCH



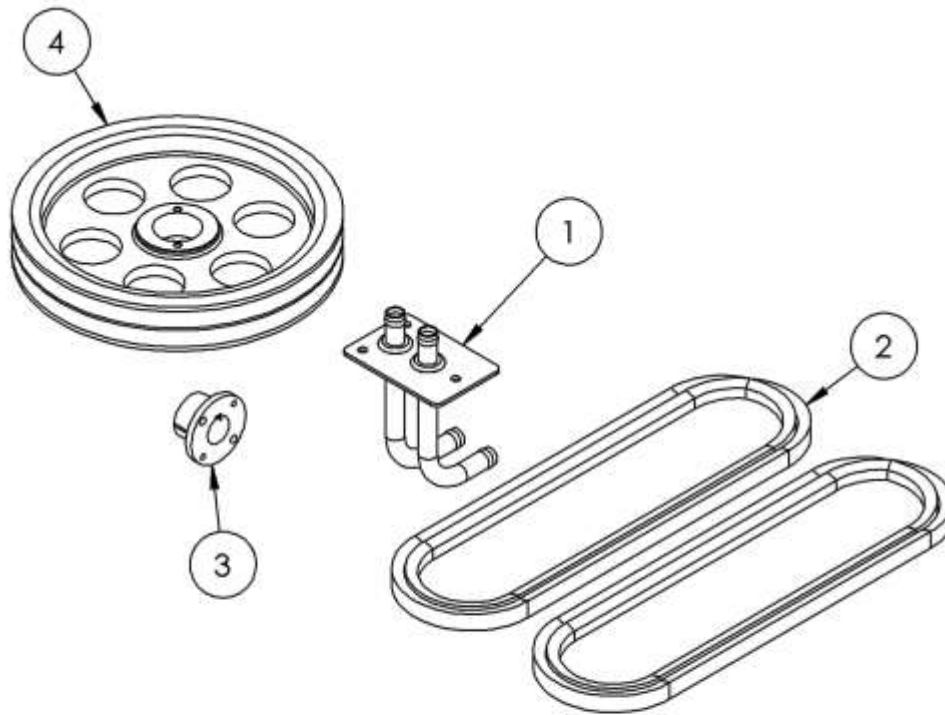
CLUTCH USES 3X 1/4-20" X 3/8 LONG BUTTON HEAD SOCKET
CAP SCREWS, BLACK OXIDE FINISH WITH NYLON PATCH,
PART NUMBER 30-365 TO MOUNT TO FRONT END

69-729, CENTER CONSOLE



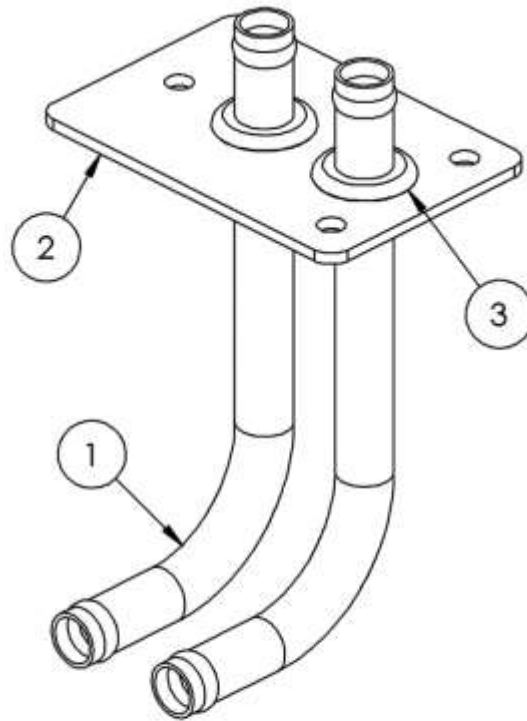
20	12	10-025	SCREW, MACH 1/4-20 X 3/4 HXHD GRD5
4	11	11-000	NUT, INSERT 1/4-20 PRESS CADMIUM
20	10	12-012	WASHER, FLAT 1/4 USS
20	9	12-015	LKWSR, 1/4 ZINC
2	8	14-004	CLAMP, WIRE CUSHION 3/4 ID X 1/4 BOLT
1	7	41-190	TRIM, BULB SEAL .125THK .625 BULB BLK
1	6	58-815	PNL, SHAFT GUARD
1	5	60-2864	PANEL, GREASE PORT
1	4	61-1225	WELDMENT, CENTER CONSOLE MOUNT
1	3	61-1228	WELDMENT, REAR GUARD SUPPORT
1	2	61-1229	WELDMENT, FRONT GUARD SUPPORT
1	1	61-1230	WELDMENT, FILE HOLDER
QTY	ITEM	PART NO.	DESCRIPTION

MISCELLANEOUS COMPONENTS



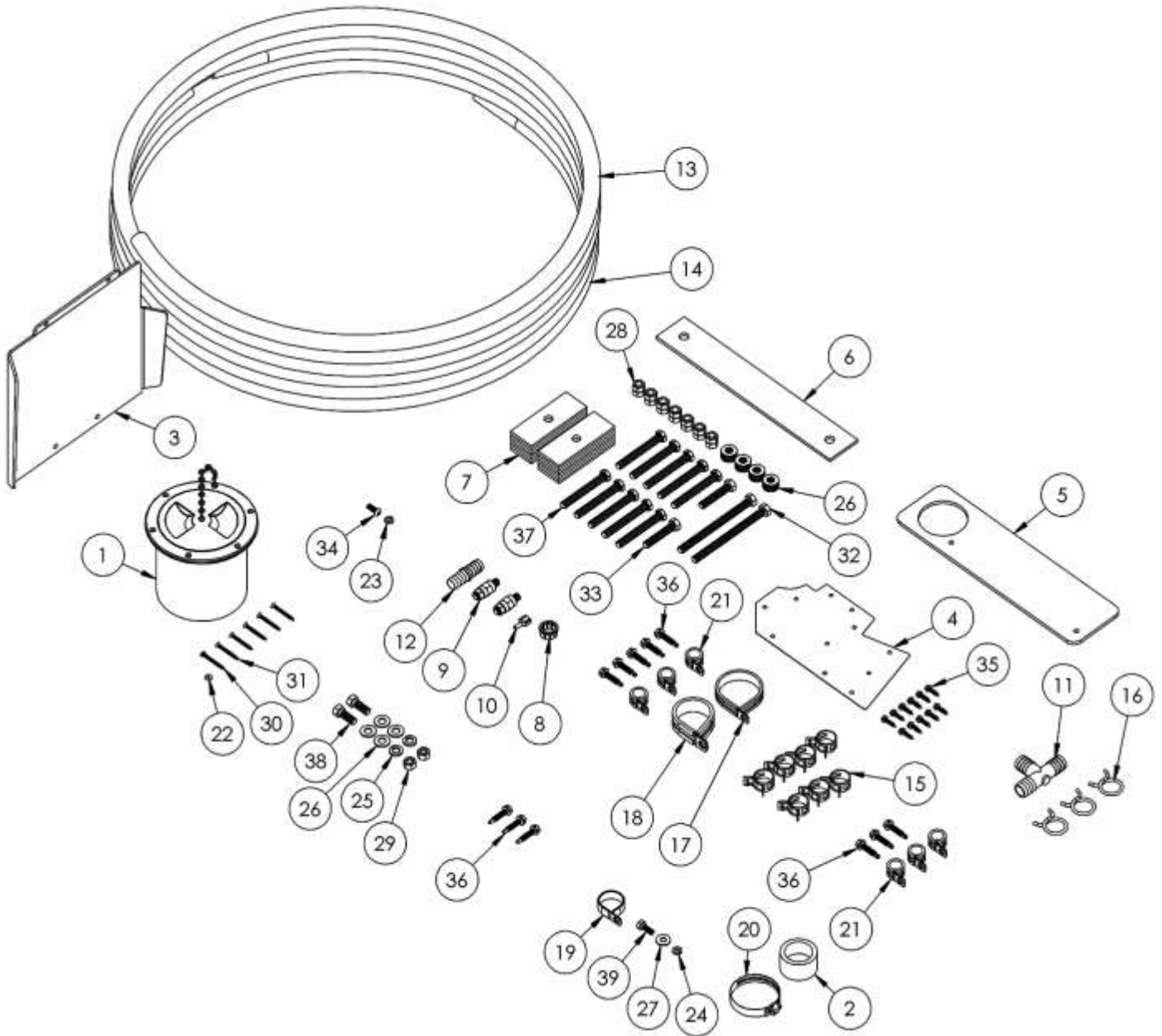
1	4	38-111	PULLEY, BROWNING 2BK110H
1	3	38-052	BUSHING, BROWNING H X 1.125
2	2	37-104	BELT, BX68 GATES EPDM
1	1	69-825	ASSY, FLOOR HOSE MANIFOLD
QTY	ITEM	PART NO.	DESCRIPTION

69-825, ASSEMBLY, FLOOR HOSE MANIFOLD



2	3	41-096	GROMMET, 1-1/8 OD X 5/8 ID X 1/8 PANEL
1	2	60-2440	PLATE, WATER HOSE MANIFOLD
2	1	60-2441	TUBE, WATER HOSE STRAIGHT
QTY	ITEM	PART NO.	DESCRIPTION

69-728, INSTALL KIT COMPONENTS

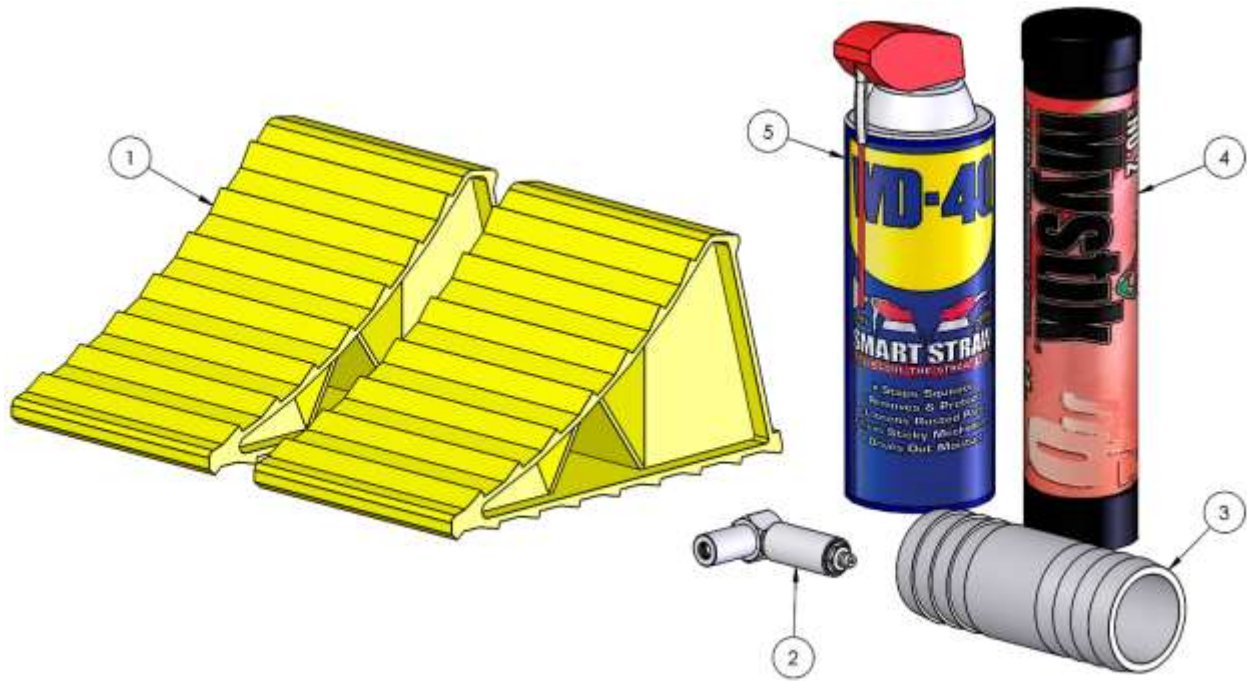


SECTION FOUR – PARTS AND ACCESSORIES

69-728, INSTALL KIT COMPONENTS - BOM TABLE

1	39	10-025	SCREW, MACH 1/4-20 X 3/4 HXHD GRD5
2	38	10-029	SCREW, MACH 3/8-16 X 1 HXHD
10	37	10-057	BOLT, TAP 3/8-16 X 3 GR 5
11	36	10-205	SCREW, SELF DRILL 1/4-14 X 1-1/4 HXHD
11	35	10-231	SCREW, 8-18 X 3/4 SELF TAP HXHD ZP
1	34	10-289	SCREW, MACH M6-1.0 X 12 MM BHSCS ZP
2	33	10-347	BOLT, TAP 3/8-16 X 2 HXHD ZP
2	32	10-348	BOLT, TAP 3/8-16 X 5 HXHD ZP
5	31	10-350	SCREW, SELF-DRILL PHFH #6-20 X 1.50 SS
1	30	10-351	SCREW, SELF-DRILL PHPH #6-20 X 1.50 SS
2	29	11-006	NUT, 3/8-16 ZINC
14	28	11-019	NUT,3/8-16 NYLOK
1	27	12-012	WASHER, FLAT 1/4 USS
32	26	12-013	WASHER, FLAT 3/8 USS
2	25	12-014	LKWSR, 3/8 ZINC
1	24	12-015	LKWSR, 1/4 ZINC
1	23	12-063	WASHER, LOCK M6 ZP
1	22	12-101	WASHER, FLAT #6 ZP
6	21	14-005	CLAMP,WIRE CUSHION 5/8 ID X 1/4 BOLT
1	20	14-010	CLAMP, HOSE #32
1	19	14-022	CLAMP, 1-1/4 ID VINYL COVERED
1	18	14-037	CLAMP, 2' #26 VINYL COATED SPIN
1	17	14-058	CLAMP, WIRE CUSHION 2-1/4 X 1/4 BOLT
3	16	14-109	CLAMP, HOSE 1.125 WIRE SPRING
7	15	14-118	CLAMP, CONST TENSION SPRING 15/16 IN
20 FT	14	16-005	HOSE, WTR 5/8 IN HZN500 FT BULK
20 FT	13	16-135	HOSE, WTR 5/8 IN HZN500 FT BULK RED
1	12	21-418	COUPLING, 5/8 BARB BRASS
1	11	21-538	TEE, 3/4 H BARB NYLON
1	10	31-041	TERM, INS PSH ON 14-16 GA. BLUE MALE
2	9	31-234	MOUNTING BOLT, BATTERY CABLE
1	8	41-108	GROMMET, PUSH IN 11/16 ID
14	7	58-055	PLATE, MACHINE MOUNTING
1	6	58-816	PLT, POST MOUNTING
1	5	58-829	PLATE, DOGHOUSE TEMPLATE
1	4	58-843	PANEL, CUTOUT COVER
1	3	58-972	PNL, GLOVE BOX COVER
1	2	66-551	PLUG, RESONATOR FOR GM16
1	1	69-733	ASSY, VACUUM HOSE PORT
QTY	ITEM	PART NO.	DESCRIPTION
1	EA	34-033-1	MODULE, ELEC CHEVY THROTTLE
1	EA	34-049	MODULE, OFF-DELAY TIMER
1	EA	47-102	HARNESS, FRONT END KIT GM
1	EA	47-148	HARNESS, ALTERNATOR EXTENSION
QTY	U/M	PART NO.	DESCRIPTION
ITEMS NOT SHOWN IN DRAWING VIEWS			

69-376, CUSTOMER STARTER KIT



1	5	13-048	LUBRICANT, WD-40 12OZ SPRAY
1	4	13-070	GREASE, MYSTIK JT-6 HI-TEMP #2
1	3	21-003	FTG, BRB 2 IN H BS PVC
1	2	28-021	COUPLER, RIGHT-ANGLE GREASE GUN
2	1	42-008	WHEEL CHOCK, LIGHT DUTY
QTY	ITEM	PART NO.	DESCRIPTION

DECALS



ELECTRICAL SHOCK
COULD CAUSE SEVERE
BURNS OR INJURY. DO
NOT TOUCH ELECTRICAL
WIRES OR COMPONENTS
WHILE THE ENGINE IS
RUNNING. DISCONNECT
THE BATTERY BEFORE
SERVICING THIS UNIT TO
PREVENT ACCIDENTAL
STARTING.

44-066 A

44-066, WARNING,
ELECTRICAL SHOCK



READ THE OPERATOR'S MANUAL
BEFORE INSTALLING OR
STARTING THIS UNIT. FAILURE TO
ADHERE TO INSTRUCTIONS CAN
RESULT IN SEVERE PERSONAL
INJURY OR COULD BE FATAL.
REPLACEMENT
MANUALS CAN BE PURCHASED
FROM:
Sapphire Scientific
2604 Liberator
Prescott, AZ 86301

44-067 A

44-067, WARNING, READ MANUAL



WATER UNDER HIGH PRESSURE AT
HIGH TEMPERATURE CAN CAUSE
BURNS, SEVERE PERSONAL
INJURY, OR COULD BE FATAL.
SHUT DOWN MACHINE, ALLOW TO
COOL DOWN, AND RELIEVE
SYSTEM OF ALL PRESSURE
BEFORE REMOVING VALVES,
CAPS, PLUGS, FITTING, FILTERS
AND BOLTS.

44-083 A

44-083, WARNING, HIGH
PRESSURE



ROTATING MACHINERY
CAN CAUSE INJURY OR
COULD BE FATAL.
KEEP ALL GUARDS
AND SAFETY DEVICES
IN PLACE.

44-085 A

44-085, WARNING,
ROTATING MACHINERY

ROTATING
MACHINERY.
WATER UNDER
PRESSURE AT HIGH
TEMPERATURE.
IMPROPER
MODIFICATION OF
EQUIPMENT CAN
CAUSE SEVERE
PERSONAL INJURY
OR COULD BE
FATAL.



DO NOT MODIFY
UNIT WITHOUT
WRITTEN
PERMISSION
FROM
MANUFACTURER

44-082 A

44-082, DANGER, ROTATING
MACHINERY

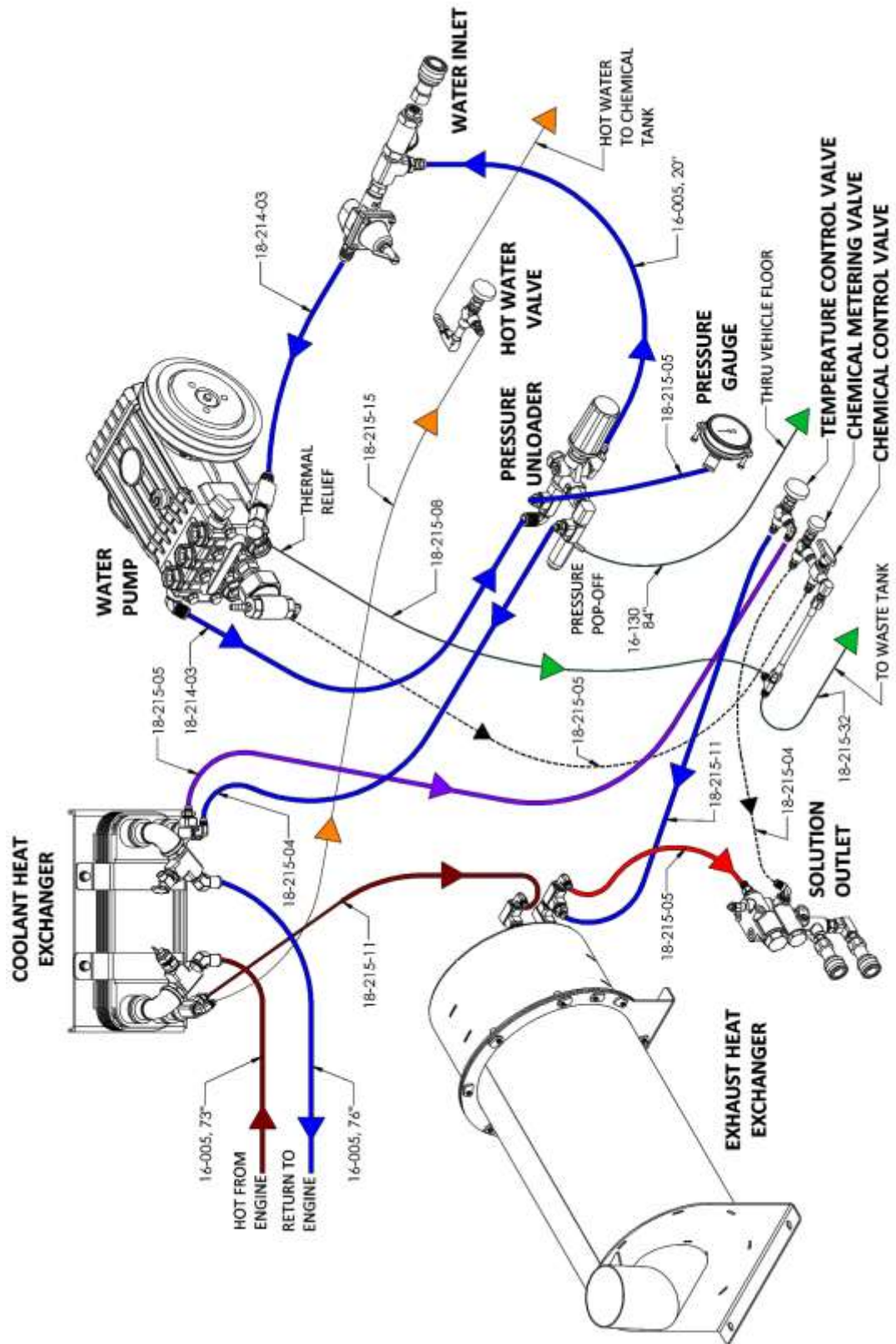


44-084, CAUTION, HOT SURFACE

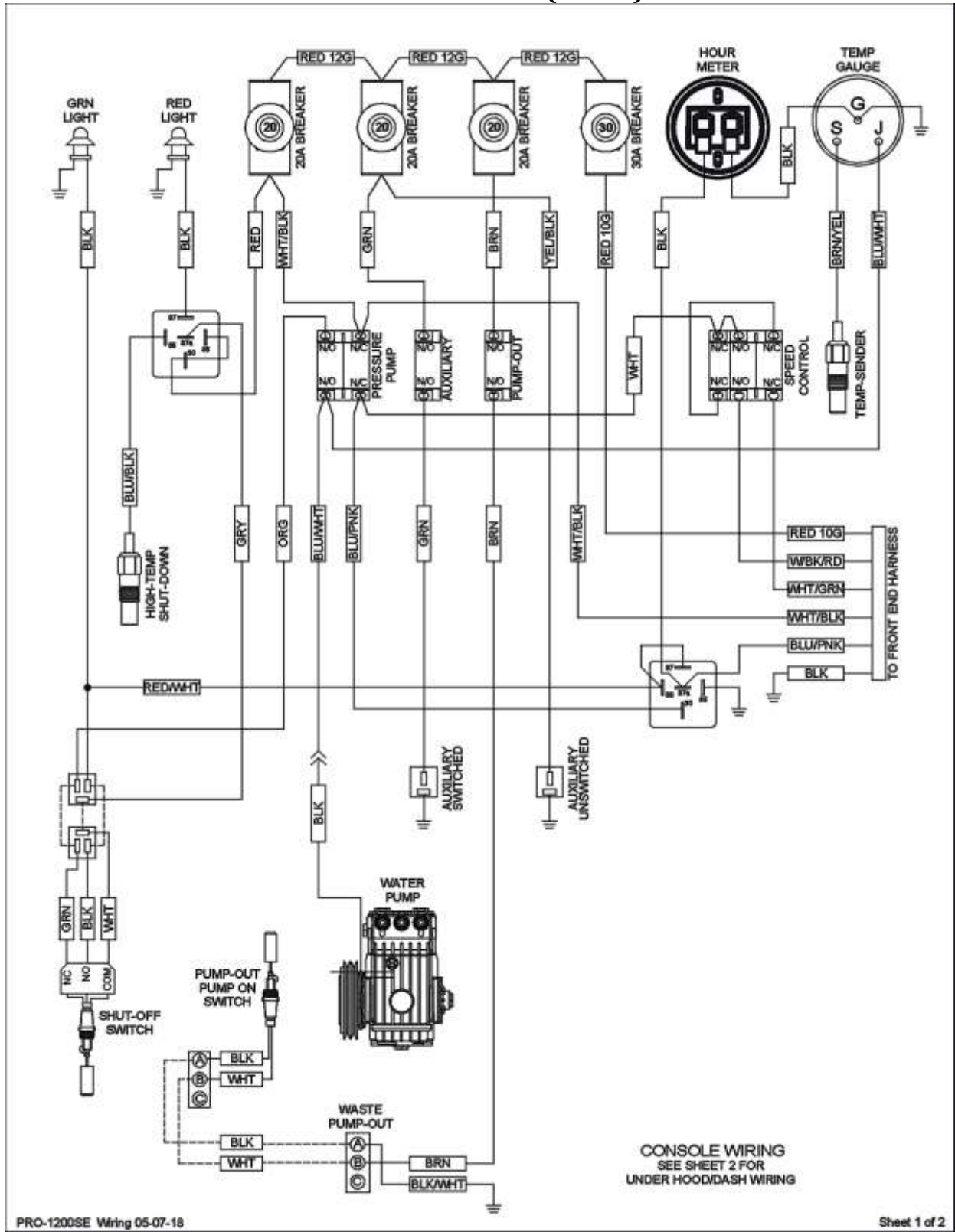


44-250, DECAL, PRODUCT PRO-1200 SE

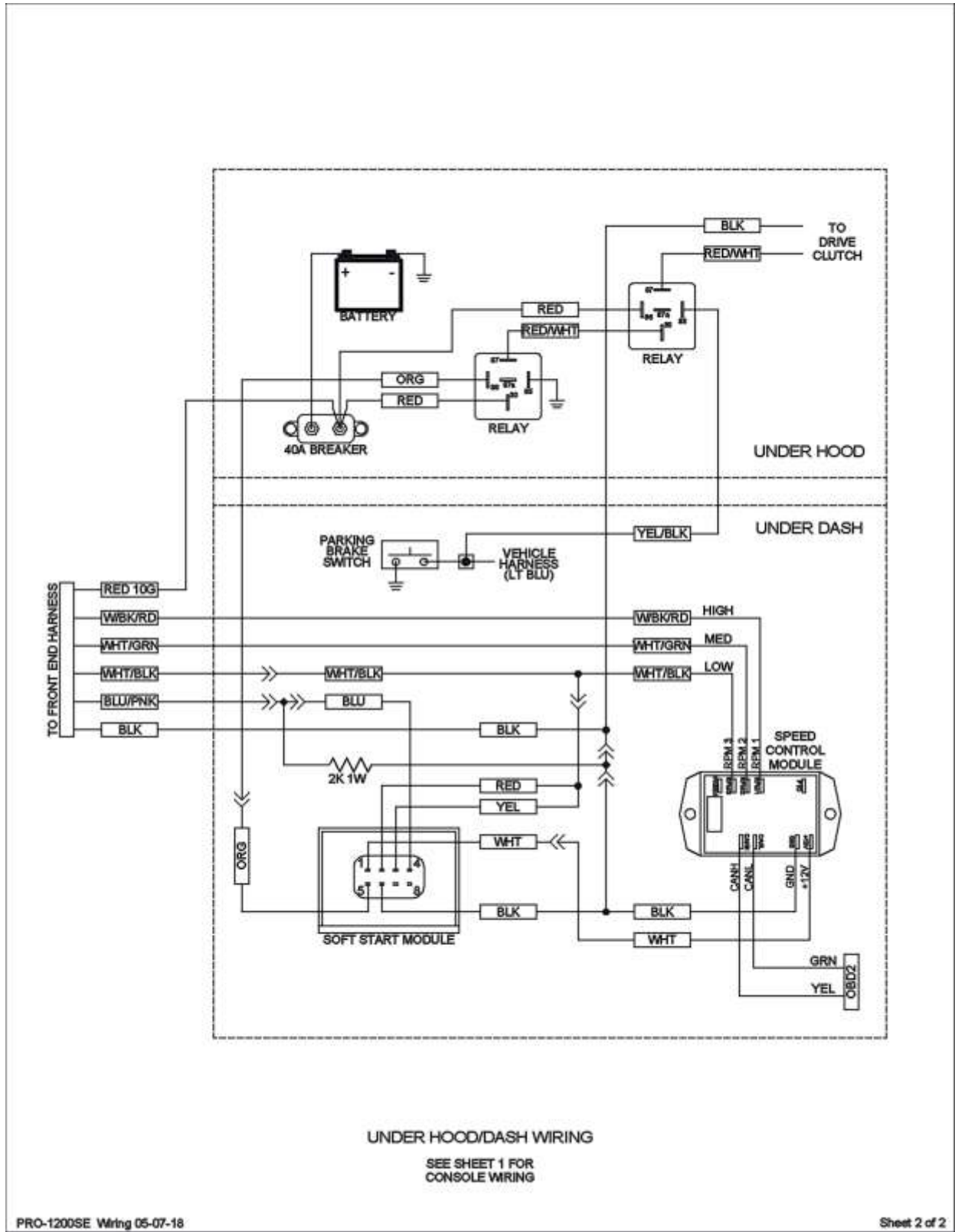
WATER FLOW DIAGRAM



WIRING DIAGRAM (1 OF 2)



WIRING DIAGRAM 2 OF 2

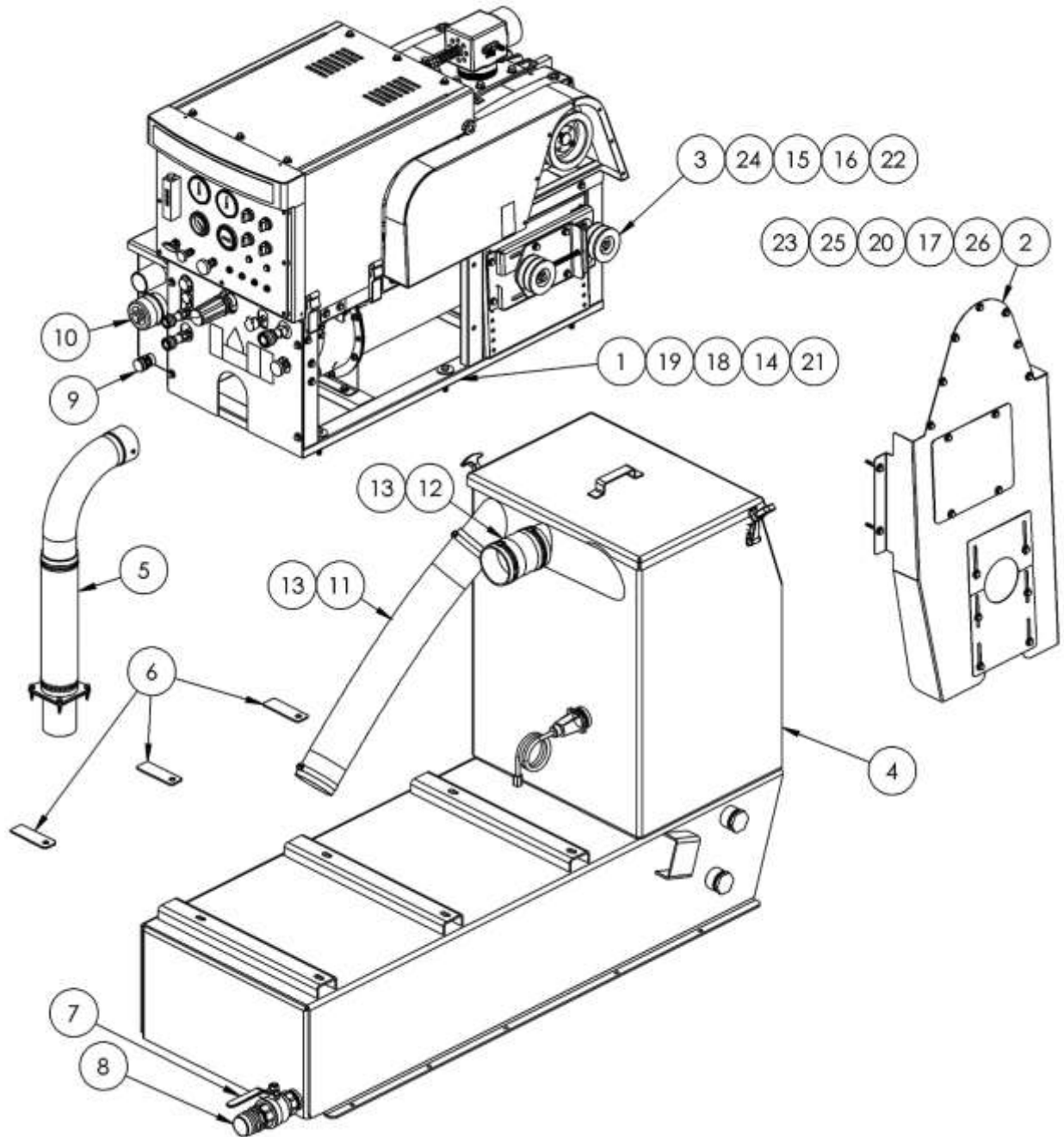


SECTION FIVE: BOX TRUCK COMPONENTS

ILLUSTRATED PARTS LISTING

ASSEMBLED CONSOLE KIT.....	96
BELT GUARD.....	98
BELT TENSIONER	100
FRONT END KIT	101
PULLEY SHAFT HOUSING.....	102
PULLEY BOX.....	103

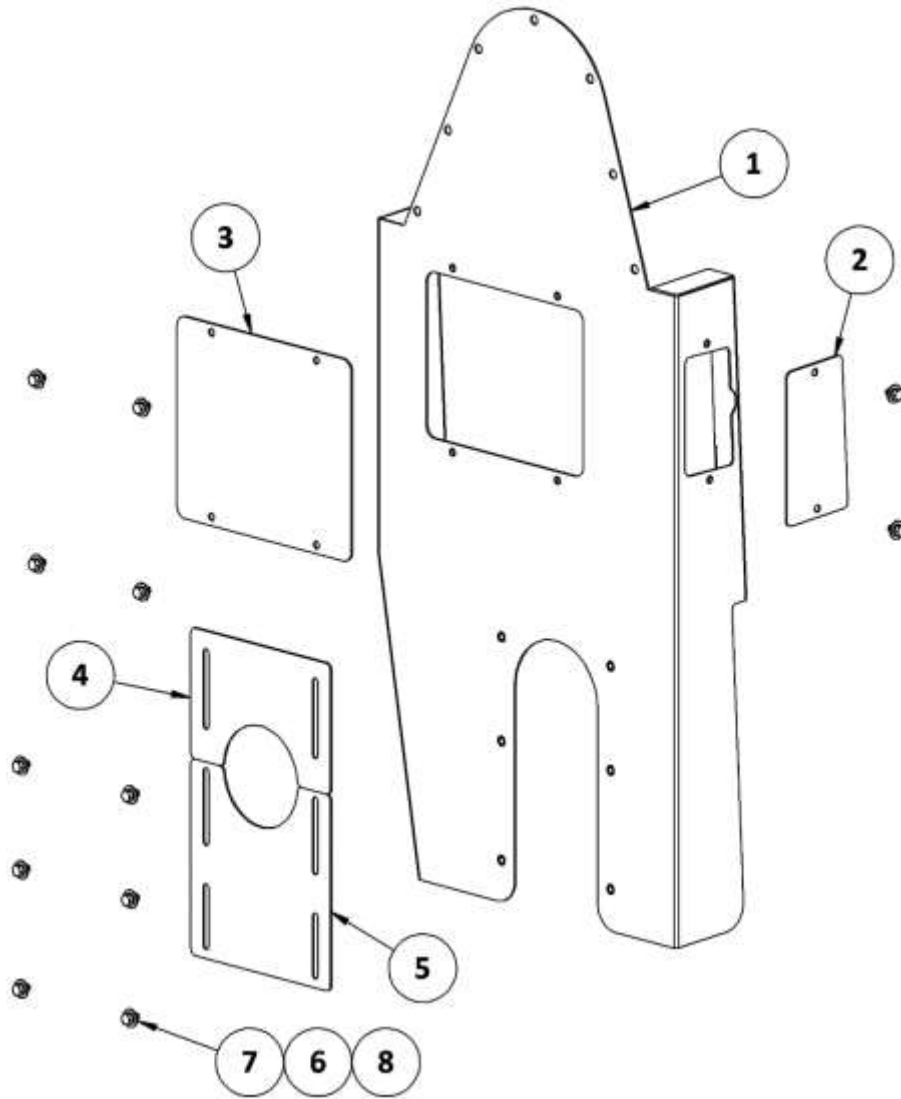
71-1200BT15, KIT, CONSOLE PRO-1200 SE



71-1200BT15, KIT, CONSOLE PRO-1200 SE - BOM TABLE

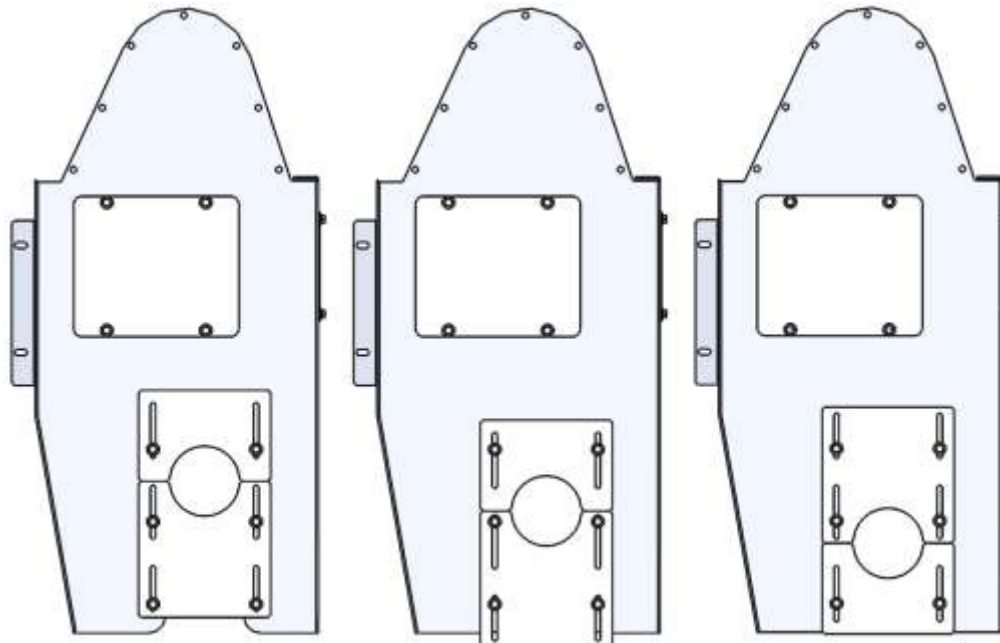
7	26	10-006	SCREW, MACH 1/4-20 X 1/2 HEXHD
2	25	10-028	SCREW, MACH 1/4-20 X 2-3/4 HXHD
4	24	10-106	BOLT, 5/16-18 X 1 HHCS Z5
2	23	10-170	SCREW, MACH, 1/4-20 X 1-3/4 HH G5
4	22	11-005	NUT, 5/16-18 ZINC
3	21	11-019	NUT,3/8-16 NYLOK
11	20	12-012	WASHER, FLAT 1/4 USS
3	19	12-013	WASHER, FLAT 3/8 USS
3	18	12-014	LKWSR, 3/8 ZINC
11	17	12-015	LKWSR, 1/4 ZINC
4	16	12-016	LKWSR, 5/16 ZINC
8	15	12-017	WASHER, FLAT 5/16 SAE ZINC
6	14	12-112	WASHER, FENDER 3/8 X 1.50 ZP
4	13	14-050	CLAMP, HOSE 4 1/2 TO 2 1/2 HD SS
1	12	16-014-01	HOSE, INT VAC 3-1/2 X 5 IN
1	11	16-014-02	HOSE, INT VAC 3-1/2 X 27 IN
1	10	19-013	CAP, 2-1/2 IN RUBBER
1	9	21-071	CAP, GARDEN HOSE 3/4 BRASS
1	8	21-094	FTTG, 1-1/2 P X 2H DRAIN
1	7	23-050	VLV, 1-1/2 IN BRASS BALL
3	6	61-1188	WELDMENT, MOUNTING NUT PLATE
1	5	68-371	KIT, 90 DEG 3 IN THRU STEP EXHAUST
1	4	69-648	ASSY, SUBMOUNT WASTE TANK
1	3	69-758	ASSY, BELT TENSIONER DUAL IDLER
1	2	69-769	ASSY, LOWER BT BELT GUARD
1	1	70-1200SM15	CONSOLE, SAPPHIRE 1200SM15
QTY	ITEM	PART NO.	DESCRIPTION

69-769, ASSEMBLY, LOWER BELT GUARD



12	8	10-006	SCREW, MACH 1/4-20 X 1/2 HEXHD
12	7	12-012	WASHER, FLAT 1/4 USS
12	6	12-015	LKWSR, 1/4 ZINC
1	5	58-859	PLATE, BT BELT GUARD COVER 1
1	4	58-860	PLATE, BT BELT GUARD COVER 2
1	3	58-877	COVER, LOWER BELT GUARD FRONT
1	2	58-878	COVER, LOWER BELT GUARD SIDE
1	1	61-1294	WELDMENT, LOWER BT BELT GUARD
QTY	ITEM	PART NO.	DESCRIPTION

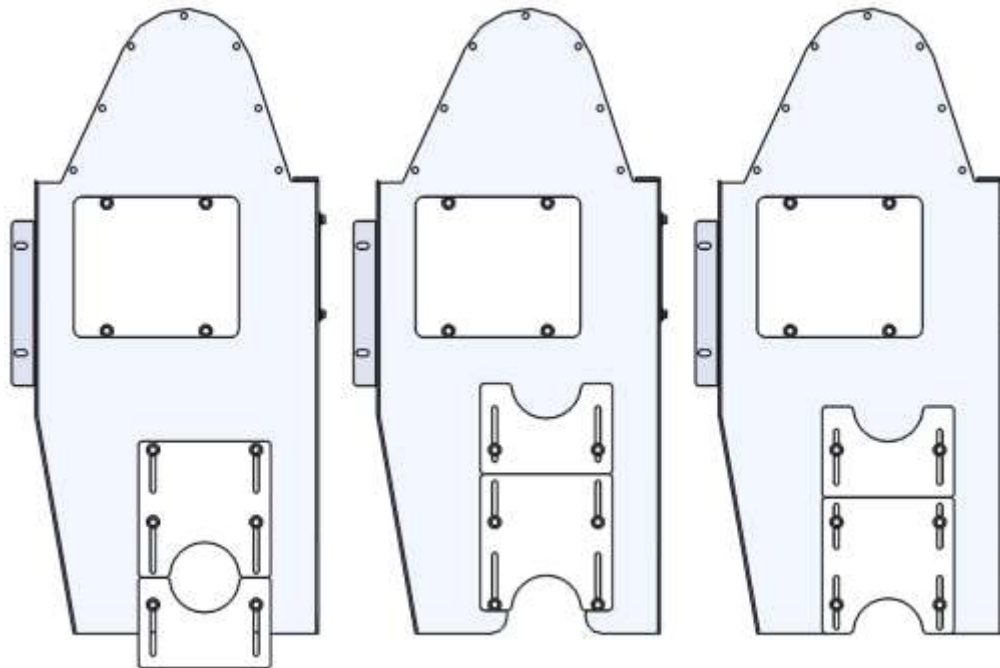
BELT GUARD CONFIGURATIONS FOR VARIOUS BOX HEIGHTS



2 INCH BOX

4 INCH BOX

6 INCH BOX

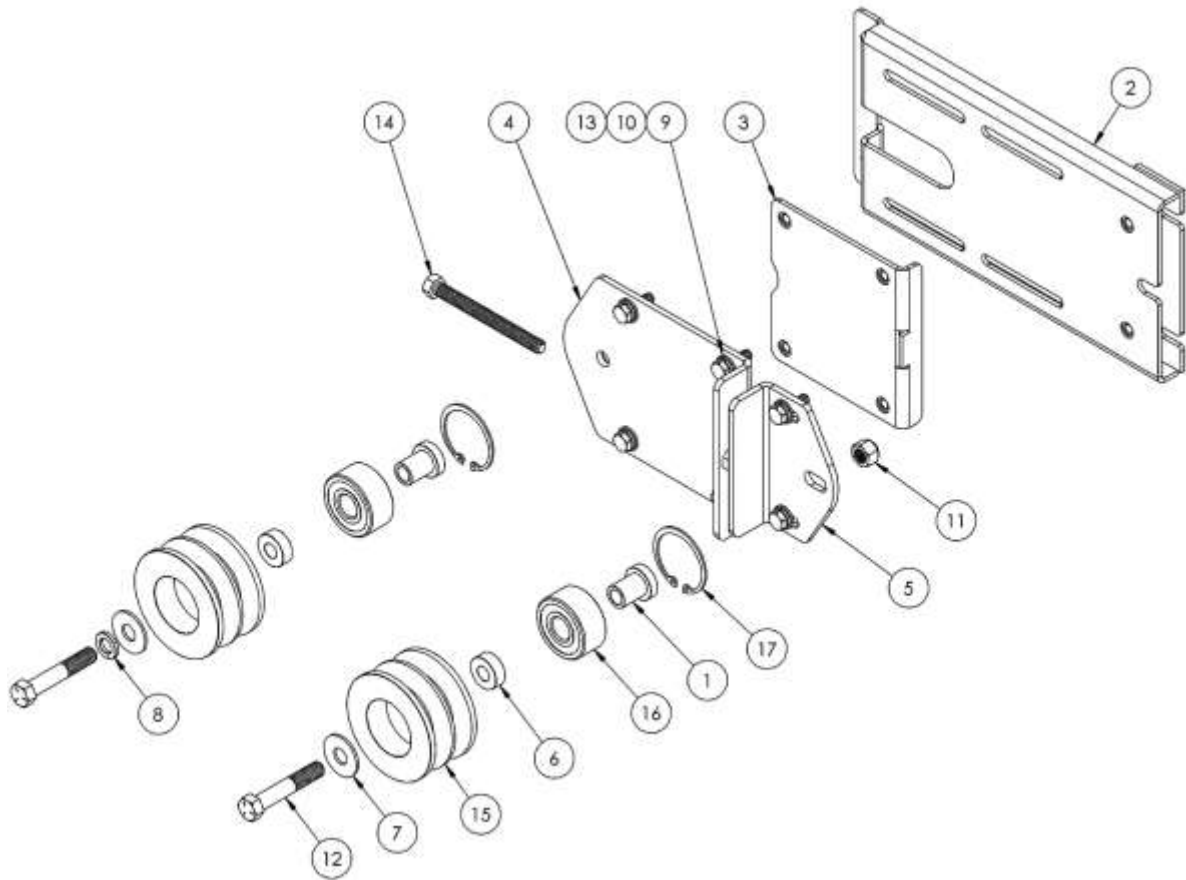


8 INCH BOX

10 INCH BOX

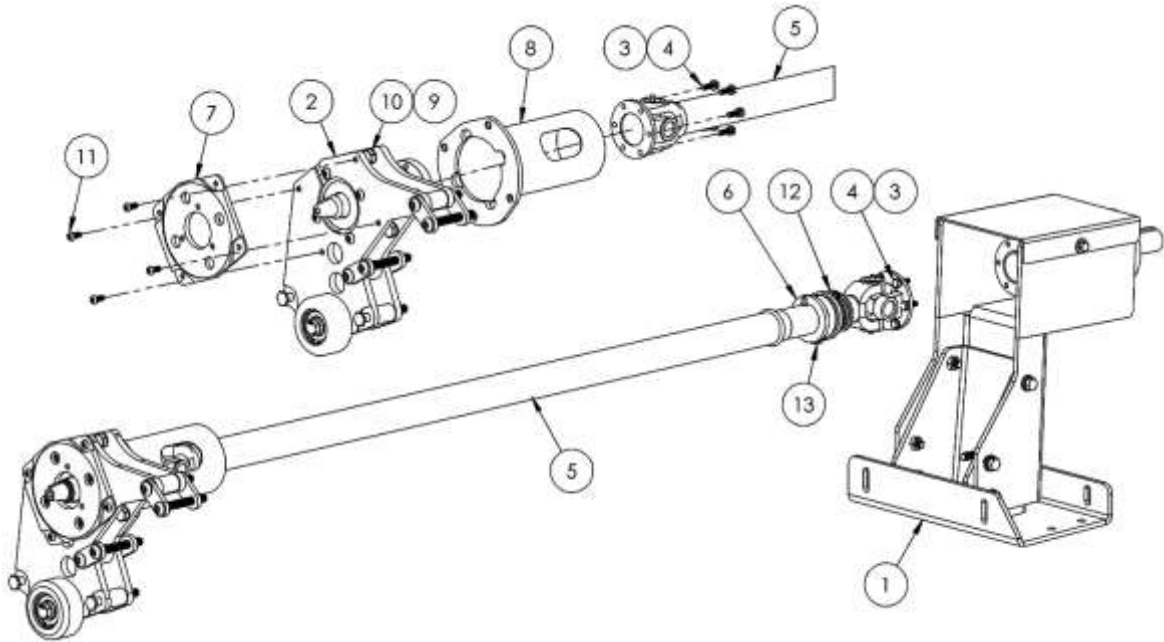
12 INCH BOX

69-758, ASSEMBLY, DUAL IDLER BELT TENSIONER



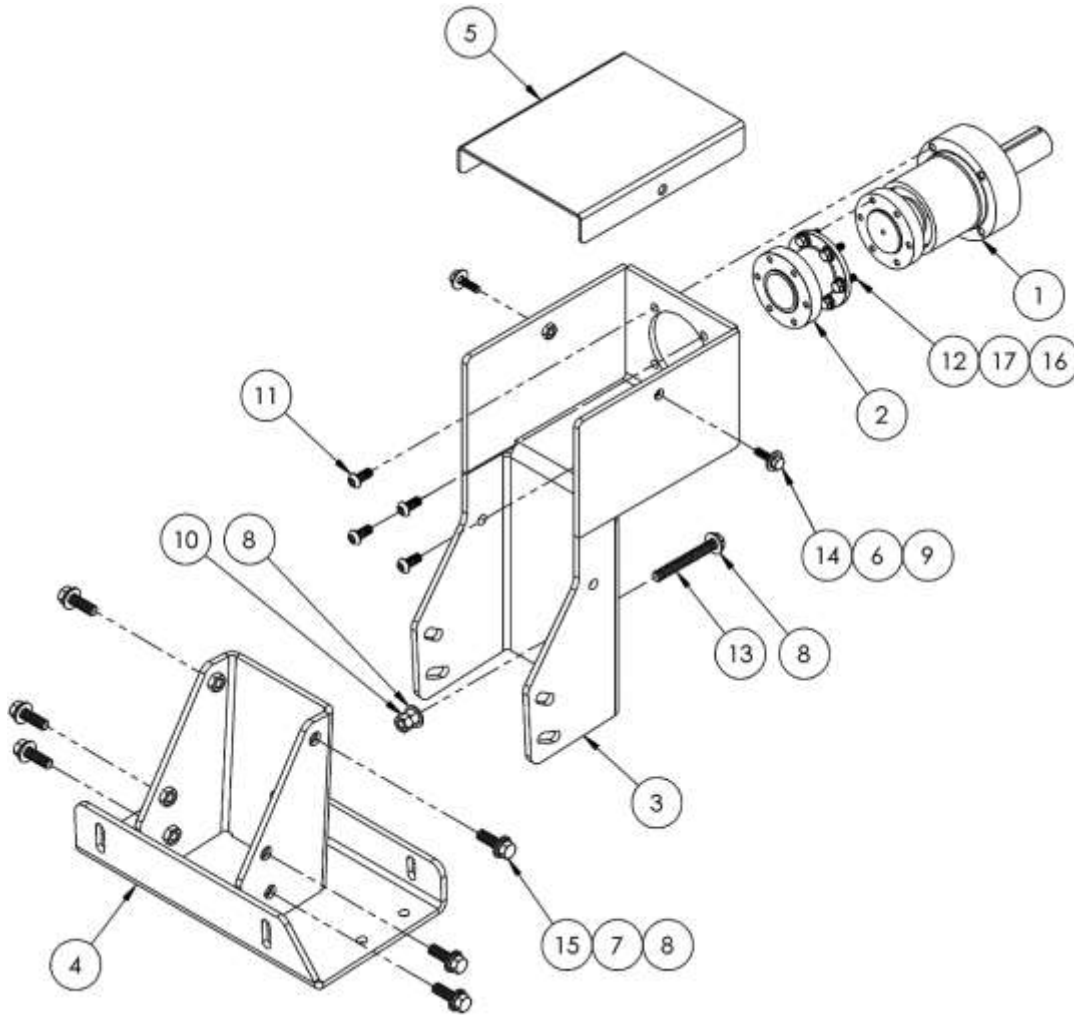
2	17	15-022	SNAP RING, 1-7/8 INTERNAL
2	16	39-105	BEARING, IDLER PULLEY 5303-2RS
2	15	66-584	PULLEY, DBL GRV IDLER 3.22 OD
1	14	10-010	BOLT, TAP 3/8-16 X 4 GR 5
6	13	10-106	BOLT, 5/16-18 X 1 HHCS Z5
2	12	10-355	SCREW, MACH 7/16-14 X 2.50 HXHD ZP
1	11	11-068	NUT, 7/16-14 NYLOK ZINC
6	10	12-016	LKWSR, 5/16 ZINC
6	9	12-017	WASHER, FLAT 5/16 SAE ZINC
1	8	12-020	LKWSR, 7/16 ZINC
2	7	12-021	WASHER, FLAT, 7/16 ZINC
2	6	38-088	SPACER, IDLER PULLEY
1	5	58-842	PLATE, FIXED IDLER PULLEY MOUNT
1	4	61-1275	WELDMENT, IDLER PULLEY SLIDE
1	3	61-1276	WELDMENT, IDLER SLIDE MOUNT
1	2	61-1278	WELDMENT, TENSIONER BASE DUAL IDLERS
2	1	66-538	BUSHING, IDLER PULLEY SHORT
QTY	ITEM	PART NO.	DESCRIPTION

68-389, KIT, BT FRONT END GM



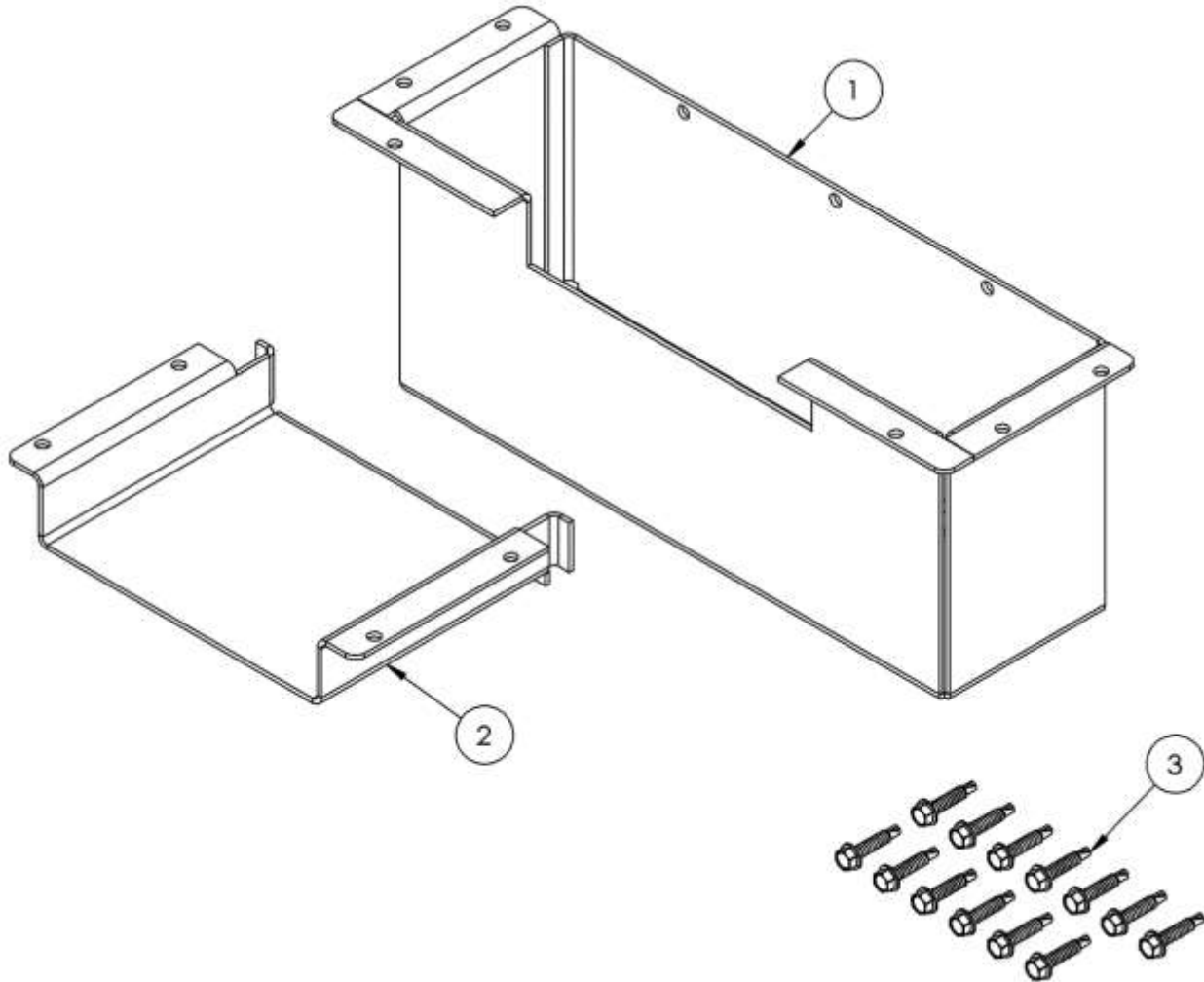
1	13	14-122	CLAMP, HOSE #28 SS
1	12	14-006	CLAMP, HOSE #20 SS
4	11	10-364	SCREW, 1/4-20 X 5/8 BO BHSCS W-NYLON PATCH
4	10	12-024	LKWSR, 10MM ZINC
4	9	10-342	SCREW, M10-1.5 X 22MM HHCS G8.8 ZP
1	8	61-1224	WELDMENT, DRIVELINE FRONT GUARD
1	7	66-548	ADAPTER, 7 IN CLUTCH MOUNT
1	6	51-116	CASTING, URETHANE DAMPENER
1	5	42-023	DRIVELINE, ELBE SERIES 107 FLGD
12	4	10-325	SCREW, M6-1.0 X 20MM 8.8 HXHD ZP
12	3	12-063	WASHER, LOCK M6 ZP
1	2	69-722	ASSY, CLUTCH SHAFT HOUSING MOUNT
1	1	69-761	ASSY, EXTENDED POST
QTY	ITEM	PART NO.	DESCRIPTION

69-761, ASSEMBLY, EXTENDED POST



6	17	12-063	WASHER, LOCK M6 ZP
6	16	12-011	WASHER, FLAT #12 SAE
6	15	10-004	SCREW, MACH 3/8-16 X 1-1/4 HEXHD
2	14	10-026	SCREW, MACH 1/4-20 X 1 HXHD
1	13	10-057	BOLT, TAP 3/8-16 X 3 GR 5
6	12	10-325	SCREW, M6-1.0 X 20MM 8.8 HXHD ZP
4	11	10-339	SCREW, MACH 5/16-18 X 3/4 BHSCS NP
2	10	11-006	NUT, 3/8-16 ZINC
2	9	12-012	WASHER, FLAT 1/4 USS
8	8	12-013	WASHER, FLAT 3/8 USS
6	7	12-014	LKWSR, 3/8 ZINC
2	6	12-015	LKWSR, 1/4 ZINC
1	5	58-846	PANEL, EXTENDED POST COVER
1	4	61-1226	WELDMENT, PULLEY SHAFT HSG MNT
1	3	61-1286	WELDMENT, EXTENDED POST
1	2	66-533	SPACER, DRIVE SHAFT EXTENSION
1	1	69-724	ASSY, PULLEY SHAFT HOUSING
QTY	ITEM	PART NO.	DESCRIPTION

69-770, ASSEMBLY, PULLEY BOX



13	3	10-205	SCREW, SELF DRILL 1/4-14 X 1-1/4 HXHD
1	2	60-2690	PANEL, PULLEY BOX TUNNEL
1	1	61-1288	WELDMENT, PULLEY BOX
QTY	ITEM	PART NO.	DESCRIPTION